



Toyota Genuine Audio


INSTALLATION INSTRUCTIONS

FOR



RAV4 (RHD)

**** A2*R**

TABLE OF CONTENTS 

1. Audio Application Chart 4

2. 1-Din Audio Installation 9

3. Wide 2-Din Audio Installation 11

4. CD Changer Installation 13

5. MD Changer Installation 18


6. Tweeters Installation 27

7. Subwoofer Installation 32

AUDIO APPLICATION CHART
 TMME-CA Division Dev. Dept. II - June 1st, 2000

RAV4 **A2*R

(RHD)

		+ ADD-ON UNIT(S)	
		CD-Changer TM0461 (08601-00879)	MD-Changer TM0660 (08601-00900)
		In-Dash CD-Changer TM0561 (08601-00892)	Navigation System TNS500 (08545-00803)
		CD-Deck TF0411 (08601-00893)	Navigation System TNS200 (08545-00802)
		Cassette-Deck TM0300 (08690-00824)	Cassette-Storage PZ437-90342-00 or CD-Storage PZ437-90341-00
COMBINATION		REQUIRED ADDITIONAL PARTS	
HEAD UNIT			
1	Radio/Cassette (only)	TF4301 (08600-00922) TM4201 (08600-00934) TP4000 (08600-00933) TF2002 (08600-00920) TM2002 (08600-00932)	A-box (55521-16030) A-box (55521-16030) A-box (55521-16030) A-box (55521-16030) A-box (55521-16030)
2	CD-Tuner (only)	TM4412 (08600-00922) TM4414 (08600-00936)	A-box (55521-16030) A-box (55521-16030)
3	Radio/Cassette + Cassette storage	TF4301 (08600-00922) TM4201 (08600-00934) TP4000 (08600-00933) TF2002 (08600-00920) TM2002 (08600-00932)	- - - - -
4	Radio/Cassette + CD-Deck	TF4301 (08600-00922) TM4201 (08600-00934)	- -
5	Radio/Cassette + CD-Changer	TF4301 (08600-00922) TM4201 (08600-00934)	A-box (55521-16030) + F/K (08695-42802) A-box (55521-16030) + F/K (08695-42802)
6	Radio/Cassette + In dash CD-Changer	TF4301 (08600-00922) TM4201 (08600-00934)	- -
7	Radio/Cassette + MD-Changer	TF4301 (08600-00922) TM4201 (08600-00934)	A-box (55521-16030) + F/K (08695-42802) A-box (55521-16030) + F/K (08695-42802)
8	Radio/Cassette + Full Map Navigation	TF4301 (08600-00922) TM4201 (08600-00934)	- -

1 DIN Head-Unit

AUDIO APPLICATION CHART

TMME-CA Division Dev. Dept. II - June 1st, 2000




RAV4 **A2*R

(RHD)

		+ ADD-ON UNIT(S)			
		CD-Changer TM0461 (08601-00879)	MD-Changer TM0660 (08601-00900)		
		In-Dash CD-Changer TM0561 (08601-00892)	Navigation System TNS500 (08545-00803)		
		CD-Deck TF0411 (08601-00893)	Navigation System TNS200 (08545-00802)		
		Cassette-Deck TM0300 (08690-00824)	Cassette-Storage PZ437-90342-00 or CD-Storage PZ437-90341-00		
		HEAD UNIT	REQUIRED ADDITIONAL PARTS		
9	Radio/Cassette + CD-Deck + CD-Changer	TF4301 (08600-00922)	●	●	Wire (08695-00260) + F/K (08695-42802)
10	Radio/Cassette + CD-Deck + MD-Changer	TF4301 (08600-00922)	●	●	Wire (08695-00260) + F/K (08695-42802)
11	Radio/Cassette + CD-Changer CD/Cass-storage	TF4301 (08600-00922) TM4201 (08600-00934)	● ●	● ●	F/K (08695-42802) F/K (08695-42802)
12	Radio/Cassette + CD-Changer + MD-Changer	TF4301 (08600-00922)	●	●	Wire (08695-00260) + A-box (55521-16030) + F/K (08695-42802)
13	Radio/Cassette + CD-Changer + MD-Changer+CD/Cass-storage	TF4301 (08600-00922)	●	●	Wire (08695-00260) + F/K (08695-42802)
14	Radio/Cassette + CD-Changer + Full Map Navigation	TF4301 (08600-00922) TM4201 (08600-00934)	● ●	● ●	Wire (08695-00260) + F/K (08695-42802) Wire (08695-00260) + F/K (08695-42802)
15	Radio/Cassette + In dash CD-Changer + MD-Changer	TF4301 (08600-00922)	●	●	Wire (08695-00260) + F/K (08695-42802)
16	Radio/Cassette + MD-Changer + Cass-storage	TF4301 (08600-00922) TM4201 (08600-00934)	● ●	● ●	F/K (08695-42802) F/K (08695-42802)
17	Radio/Cassette + MD-Changer + Full Map Navigation	TF4301 (08600-00922) TM4201 (08600-00934)	● ●	● ●	Wire (08695-00260) + F/K (08695-42802) Wire (08695-00260) + F/K (08695-42802)
18	CD-Tuner + CD-storage	TM4412 (08600-00935) TM4414 (08600-00936)	● ●	● ●	- -

1 DIN Head-Unit

		+ ADD-ON UNIT(S)		REQUIRED ADDITIONAL PARTS
		CD-Changer TM0461 (08601-00879)	MD-Changer TM0660 (08601-00900)	
COMBINATION		HEAD UNIT		
19	CD-Tuner + Cassette-Deck	TM4414 (08600-00936)		-
20	CD-Tuner + CD-Changer	TM4414 (08600-00936)	●	A-box (55521-16030) + F/K (08695-42802)
21	CD-Tuner + In dash CD-Changer	TM4414 (08600-00936)	●	-
22	CD-Tuner + MD-Changer	TM4414 (08600-00936)	●	A-box (55521-16030) + F/K (08695-42802)
23	CD-Tuner + Full Map Navigation	TM4414 (08600-00936)	●	-
24	CD-Tuner + Cassette-Deck + CD-Changer	TM4414 (08600-00936)	●	Wire (08695-00260)
25	CD-Tuner + Cassette-Deck + MD-Changer	TM4414 (08600-00936)	●	Wire (08695-00260)
26	CD-Tuner + CD-Changer + CD-storage	TM4414 (08600-00936)	●	F/K (08695-42802)
27	CD-Tuner + CD-Changer + MD-Changer	TM4414 (08600-00936)	●	Wire (08695-00260) + A-box (55521-16030) + F/K (08695-42802)
28	CD-Tuner + CD-Changer + MD-Changer + CD-Storage	TM4414 (08600-00936)	●	Wire (08695-00260) + F/K (08695-42802)
29	CD-Tuner + CD-Changer + Full Map Navigation	TM4414 (08600-00936)	●	Wire (08695-00260) + F/K (08695-42802)
30	CD-Tuner + In-Dash CD-Changer + MD-Changer	TM4414 (08600-00936)	●	Wire (08695-00260) + F/K (08695-42802)

1 DIN Head-Unit

AUDIO APPLICATION CHART

TMME-CA Division Dev. Dept. II - June 1st, 2000

RAV4 **A2*R

(RHD)

		+ ADD-ON UNIT(S)				REQUIRED ADDITIONAL PARTS
		CD-Changer TM0461 (08601-00879)	MD-Changer TM0660 (08601-00900)	Navigation System TNS500 (08545-00803)	Cassette-Storage PZ437-90342-00 or CD-Storage PZ437-90341-00	
		In-Dash CD-Changer TM0561 (08601-00892)	CD-Deck TF0411 (08601-00893)	Navigation System TNS200 (08545-00802)		
		Cassette-Deck TM0300 (08690-00824)				
		HEAD UNIT				
31	CD-Tuner + MD-Changer + CD-storage	TM4414 (08600-00936)	●	●	●	F/K (08695-42802)
		TM4414 (08600-00936)	●	●	●	Wire (08695-00260) + F/K (08695-42802)
33	Radio/Cassette (only)	MOP-unit 08600-00954 (note1)				-
34	CD-Tuner (only)	MOP-unit 08600-00955 (note1)				-
35	Radio/Cassette + CD-Changer	MOP-unit 08600-00954 (note1)	●	●	●	Wire (08695-00260) + F/K (08695-42802)
		MOP-unit 08600-00954 (note1)	●	●	●	Wire (08695-00260) + F/K (08695-42802)
36	Radio/Cassette + MD Changer	MOP-unit 08600-00954 (note1)	●	●	●	Wire (08695-00260) + F/K (08695-42802)
		MOP-unit 08600-00954 (note1)	●	●	●	Wire (08695-00260) + F/K (08695-42802)
37	Radio/Cassette + Navigation (TBT)	MOP-unit 08600-00954 (note1)			●	-
		MOP-unit 08600-00954 (note1)			●	-
38	Radio/Cassette + CD-Changer + MD-Changer	MOP-unit 08600-00954 (note1)	●	●	●	2x Wire (08695-00260) + F/K (08695-42802)
		MOP-unit 08600-00954 (note1)	●	●	●	2x Wire (08695-00260) + F/K (08695-42802)
39	Radio/Cassette + CD-Changer + Navigation (TBT)	MOP-unit 08600-00954 (note1)	●	●	●	Wire (08695-00260) + F/K (08695-42802)
		MOP-unit 08600-00954 (note1)	●	●	●	Wire (08695-00260) + F/K (08695-42802)

1 DIN Head-Unit

Wide 2-DIN

AUDIO APPLICATION CHART
 TMME-CA Division Dev. Dept. II - June 1st, 2000

RAV4 **A2*R

(RHD)

		+ ADD-ON UNIT(S)				REQUIRED ADDITIONAL PARTS
		CD-Changer TM0461 (08601-00879)	MD-Changer TM0660 (08601-00900)	Navigation System TNS500 (08545-00803)	Cassette-Storage PZ437-90342-00 or CD-Storage PZ437-90341-00	
		In-Dash CD-Changer TM0561 (08601-00892)	CD-Deck TF0411 (08601-00893)	Navigation System TNS500 (08545-00803)		
		Cassette-Deck TM0300 (08690-00824)				
		HEAD UNIT				
COMBINATION	HEAD UNIT					
40	Radio/Cassette + MD Changer + Navigation (TBT)	MOP-unit 08600-00954 (note 1)	●	●	●	Wire (08695-00260) + F/K (08695-42802) Wire (08695-00260) + F/K (08695-42802)
41	CD-Tuner + CD-Changer	MOP-unit 08600-00955 (note 1)	●	●		Wire (08695-00260) + F/K (08695-42802) Wire (08695-00260) + F/K (08695-42802)
42	CD-Tuner + MD-Changer	MOP-unit 08600-00955 (note 1)	●	●		Wire (08695-00260) + F/K (08695-42802) Wire (08695-00260) + F/K (08695-42802)
43	CD-Tuner + Navigation (TBT)	MOP-unit 08600-00955 (note 1)			●	- -
44	CD-Tuner + CD-Changer + MD-Changer	MOP-unit 08600-00955 (note 1)	●	●	●	2x Wire (08695-00260) + F/K (08695-42802) 2x Wire (08695-00260) + F/K (08695-42802)
45	CD-Tuner + CD-Changer + Navigation (TBT)	MOP-unit 08600-00955 (note 1)	●	●	●	Wire (08695-00260) + F/K (08695-42802) Wire (08695-00260) + F/K (08695-42802)
46	CD-Tuner + MD-Changer + Navigation (TBT)	MOP-unit 08600-00955 (note 1)	●	●	●	Wire (08695-00260) + F/K (08695-42802) Wire (08695-00260) + F/K (08695-42802)

Wide 2-DIN

08695-42802 = Mounting Kit // 08695-00260 = Junction Cord
 (note 1): Outside temperature sensor PZ432-R0310-00 can be retro-fitted.

2. 1-DIN AUDIO INSTALLATION

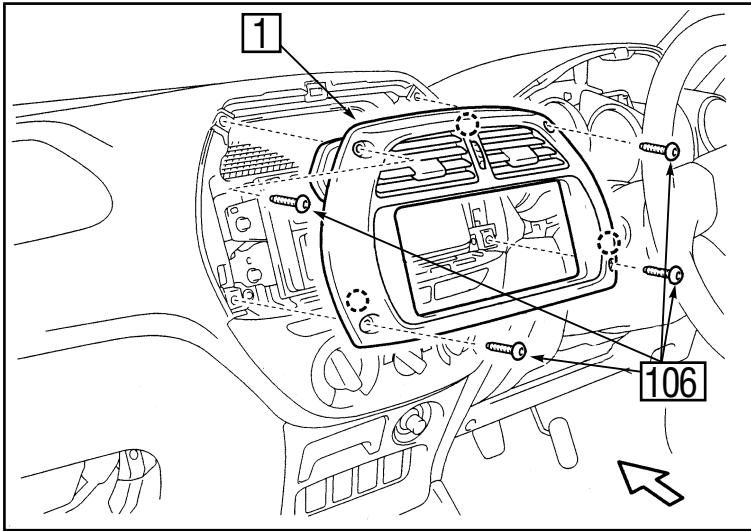


Fig. 1

1. Remove the centre cluster panel **1**.
 ○: Clip (3x)
106: Hexagon socket head cap screw (4x)

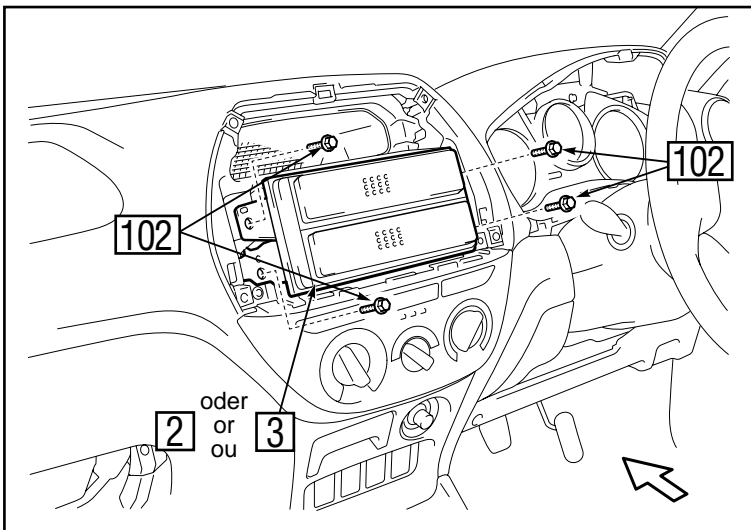


Fig. 2

2. Remove the accessory boxes **2** or cover plates **3**.
102 : Screw (4x)

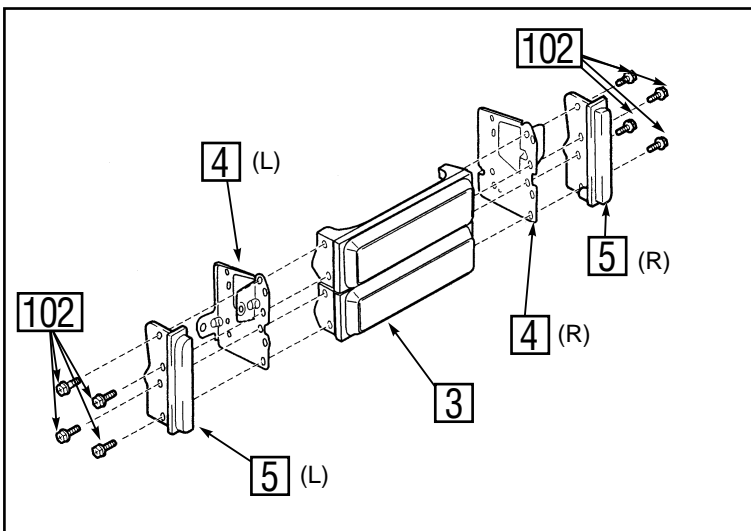


Fig. 3

3. Remove the brackets **4** and panels **5** from the accessory boxes **2**.
102 : Screw (8x)

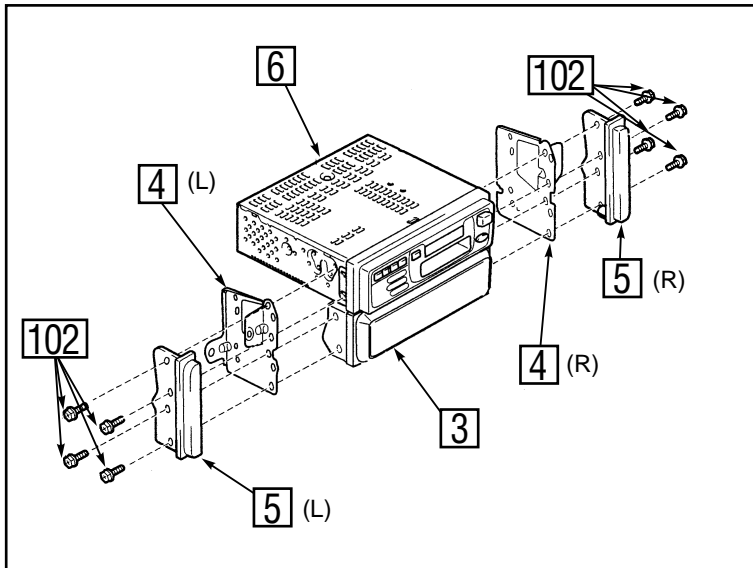


Fig. 4

4. Mount the brackets 4 and panels 5 onto the audio assembly 6 and cover plates 3.
 102 : Screw (8x)

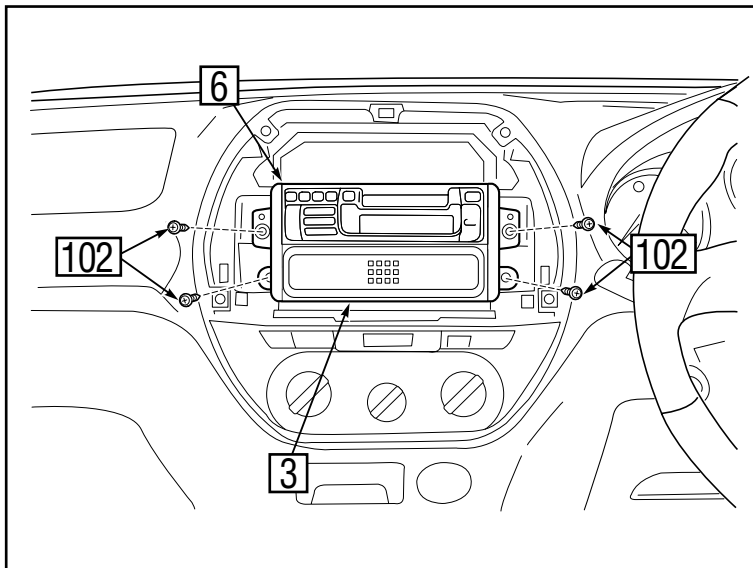


Fig. 5

5. Before fitting the audio assembly 6 to the vehicle connect the vehicle's audio connector (10P/6P) and antenna.
 Refit all removed parts.

3. WIDE 2-DIN AUDIO INSTALLATION

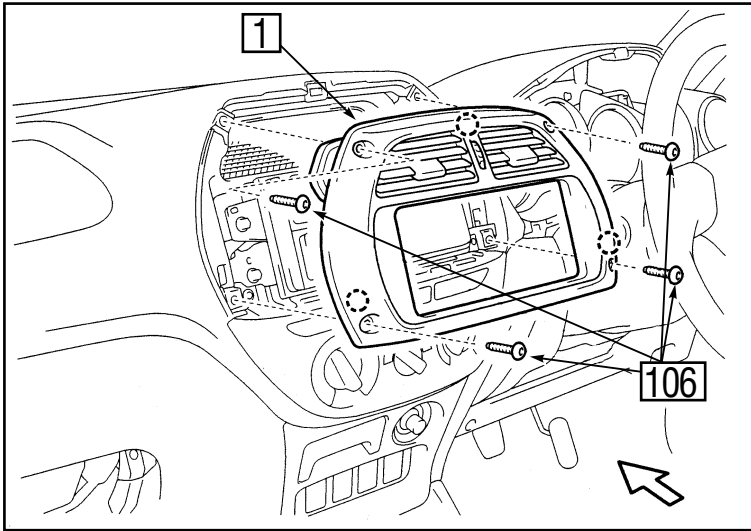



Fig. 6

1. Remove the centre cluster panel **1**.
 : Clip (3x)
106 : Hexagon socket head cap screw (4x)

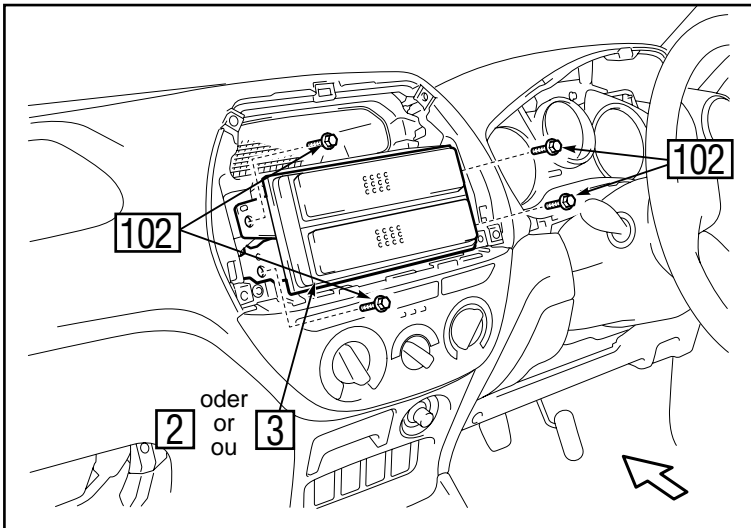


Fig. 7

2. Remove the accessory boxes **2** or cover plates **3**.
102 : Screw (4x)

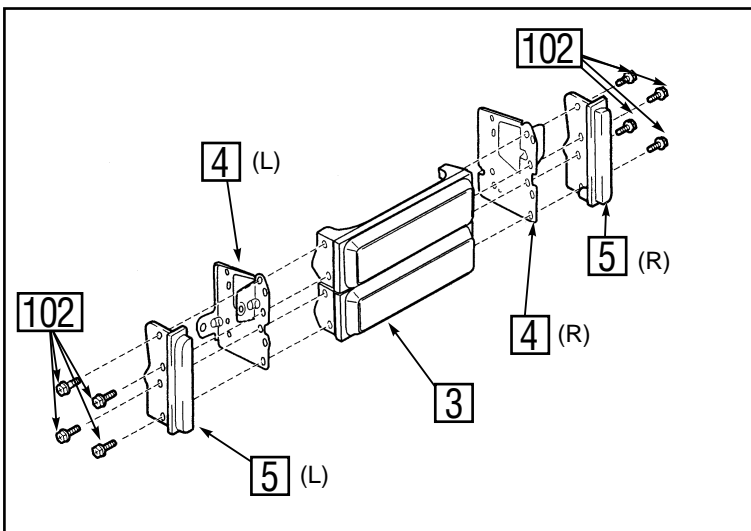


Fig. 8

3. Remove the brackets **4** and panels **5** from the cover plates **3**.
102 : Screw (8x)

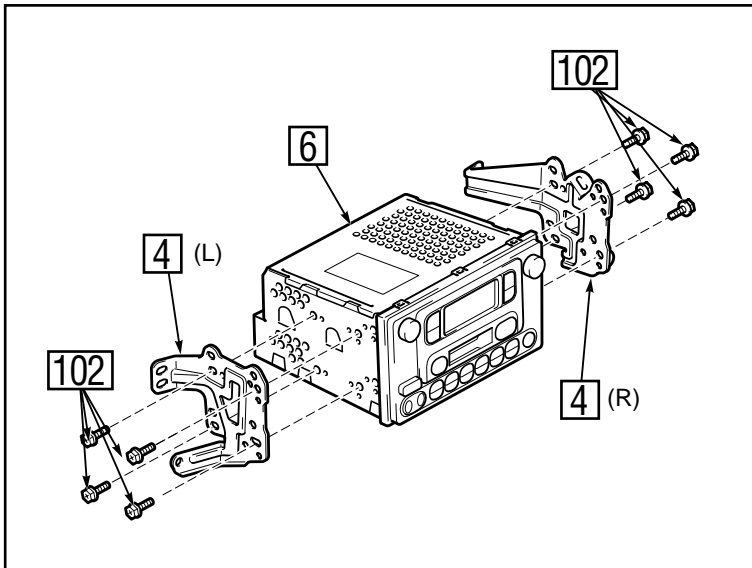


Fig. 9

4. Mount the brackets 4 onto the audio assembly 6.
102 : Screw (8x)

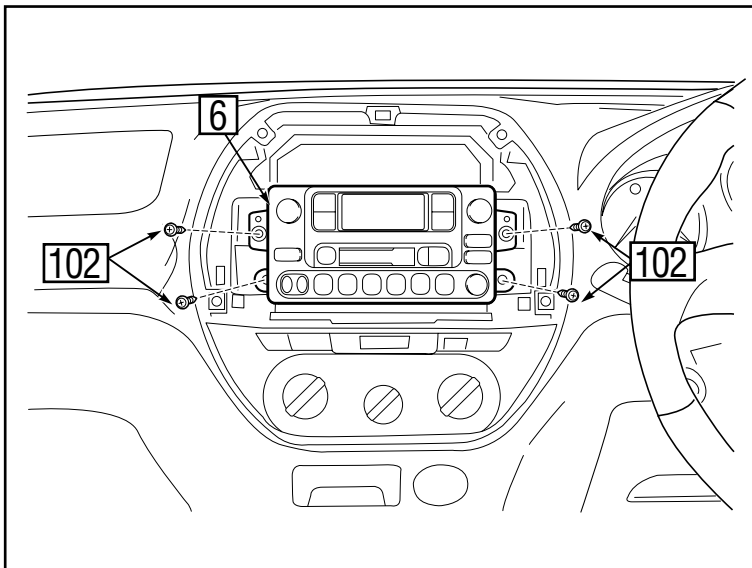


Fig. 10

5. Before fitting the audio assembly 6 to the vehicle connect the vehicle's audio connector (10P/6P), the AVC-connector (12P), the display connector (18P) and the antenna.
Refit all removed parts.

4. CD CHANGER INSTALLATION

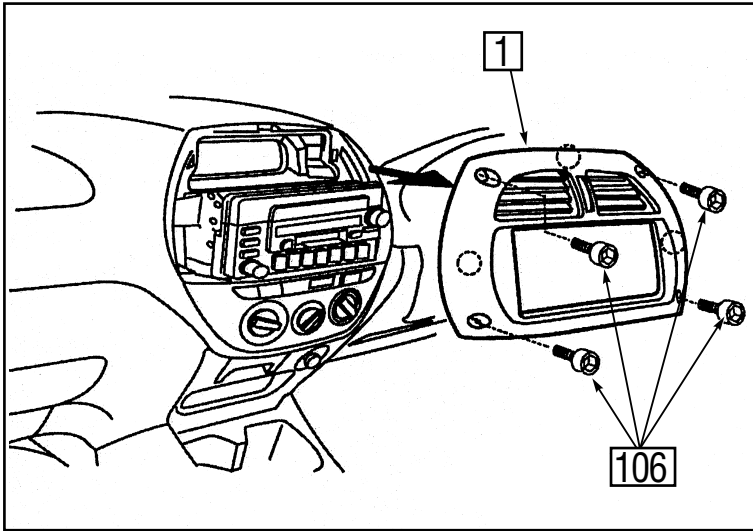


Fig. 11

1. Remove the centre cluster panel **1**.
 ○: Clip (3x)
106: Hexagon socket head cap screw (4x)

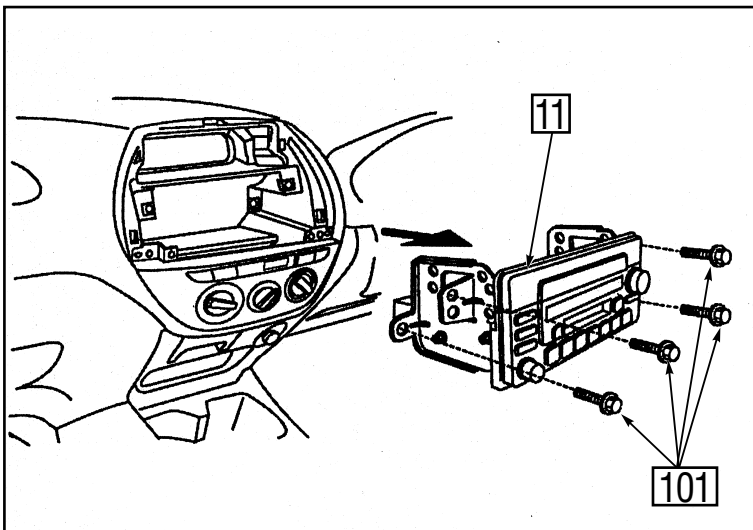


Fig. 12

2. Remove the combo **11**.
101: Bolt (4x)

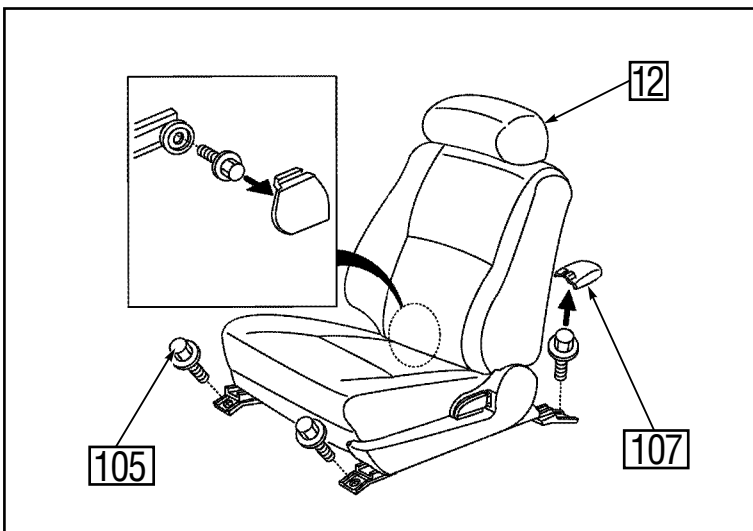


Fig. 13

3. Remove the passenger's seat **12**.
105: Bolt w/washer (4x)
107: Cover (2x)

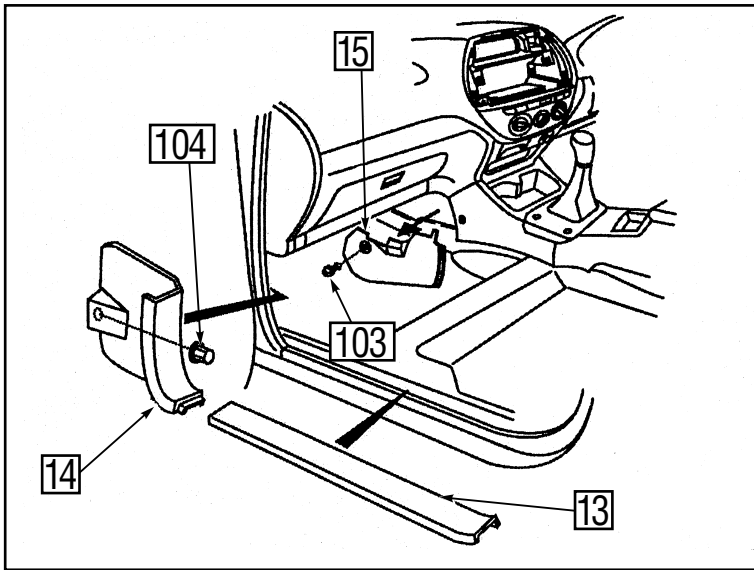


Fig. 14

4. Remove the scuff plate 13 (L) and cowl side trim 14 (L) and side cover 15 (L).
 103: Clip (1x)
 104: Nut (1x)

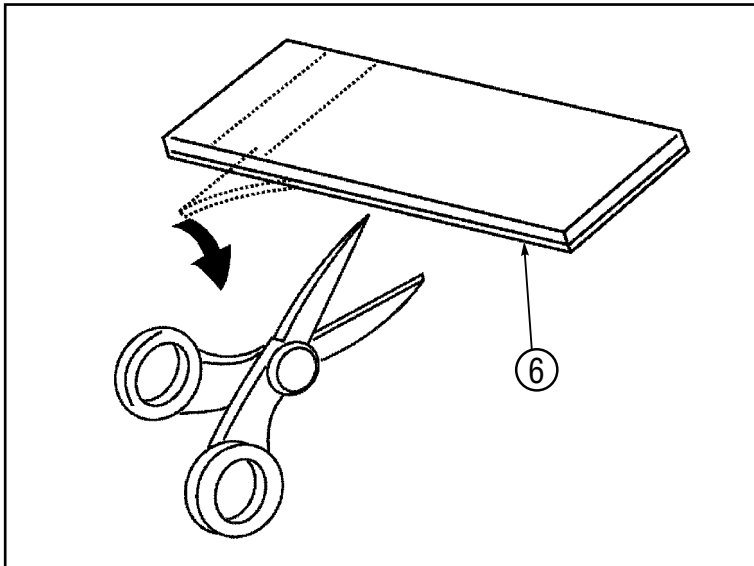


Fig. 15

5. Cut the tape 6 (10 pieces).

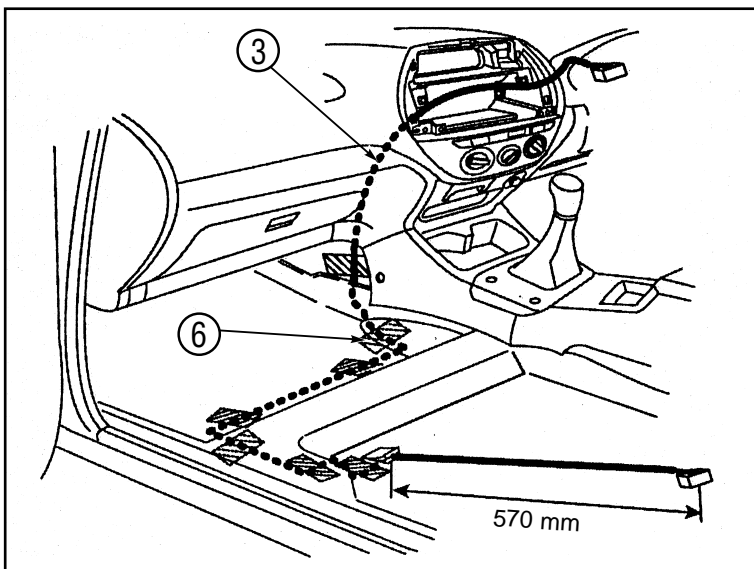


Fig. 16

6. Route the changer wire 3 and secure it with tapes 6 (7x).

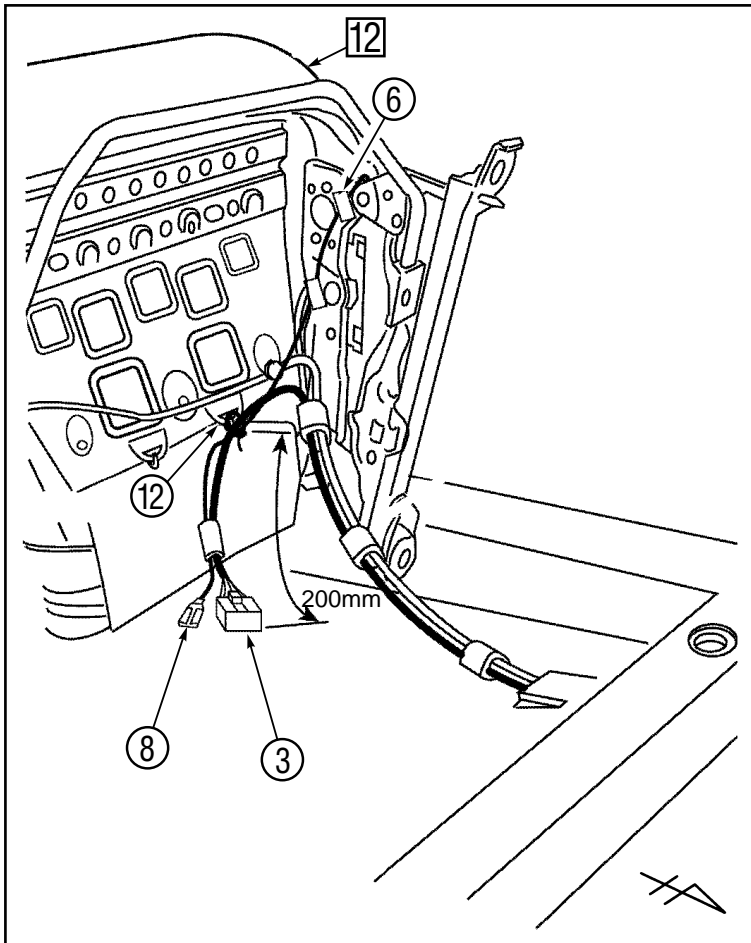


Fig. 17

7. Route the changer wire ③ and secure it with tapes ⑥ (6x) and a wire tie ⑫.

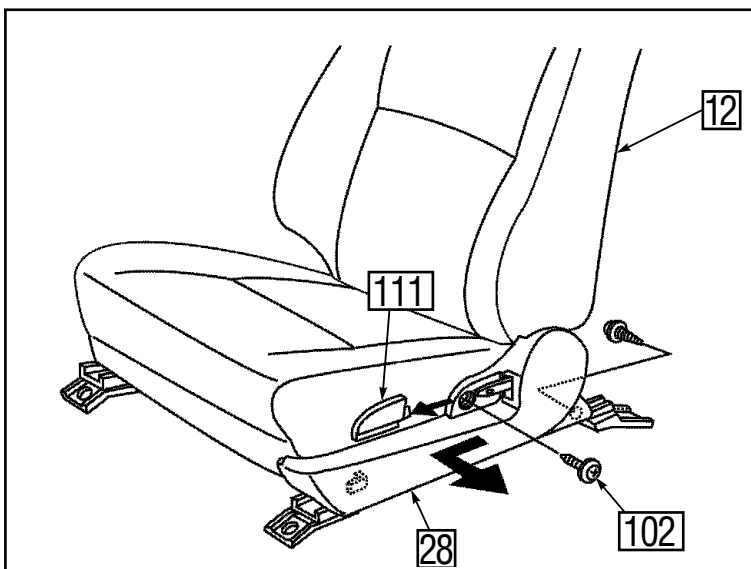


Fig. 18

8. Remove the cover ㉘.
 ㉘: Cover (1x)
 102: Screw (2x)
 111: Lever (1x)

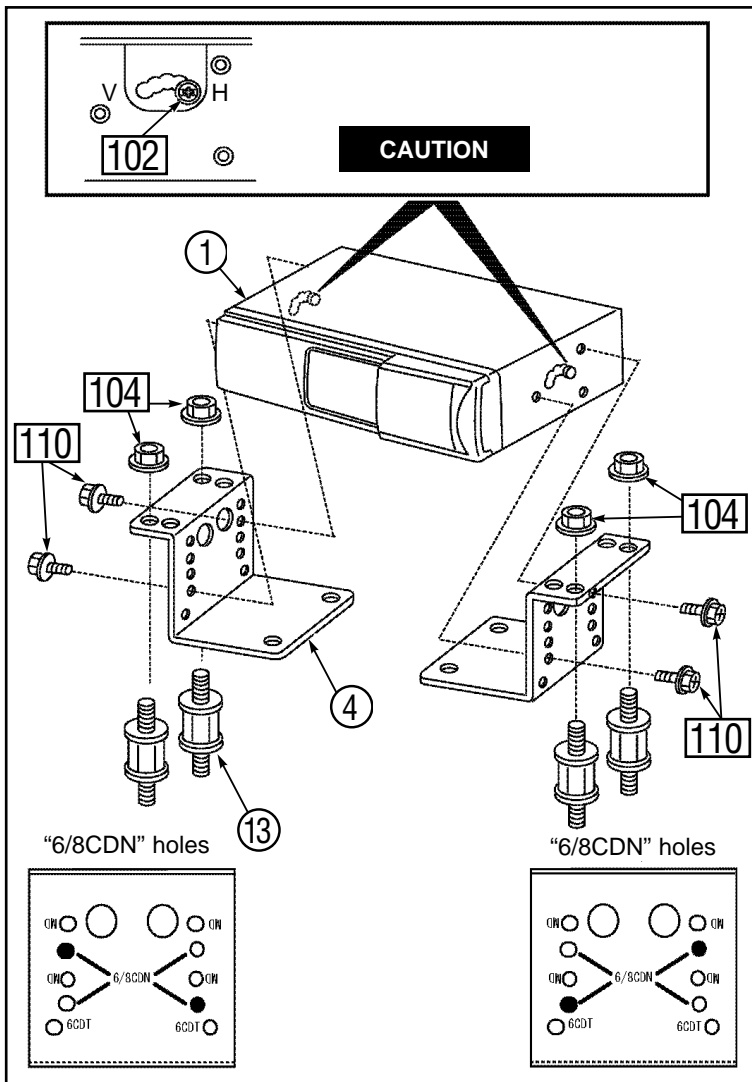


Fig. 19

9. Install the brackets (4) and dampers (13) to the CD changer (1).

102: Screw (1x)

104: Nut (4x)

110: Screw (4x)

CAUTION: Loosen the screws (110) (4x) before moving them. Tighten up after the position is changed.

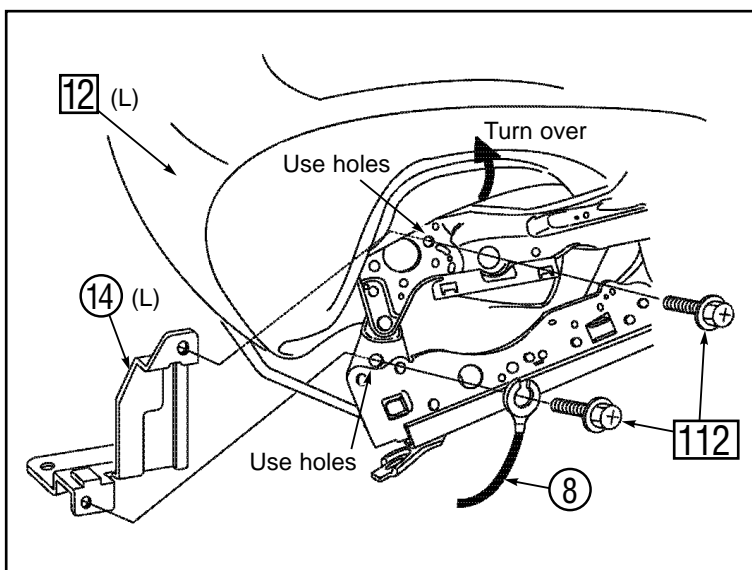


Fig. 20

10. Install the bracket (L) (14) to the passenger's seat left side (12).

112: Screw (2x)

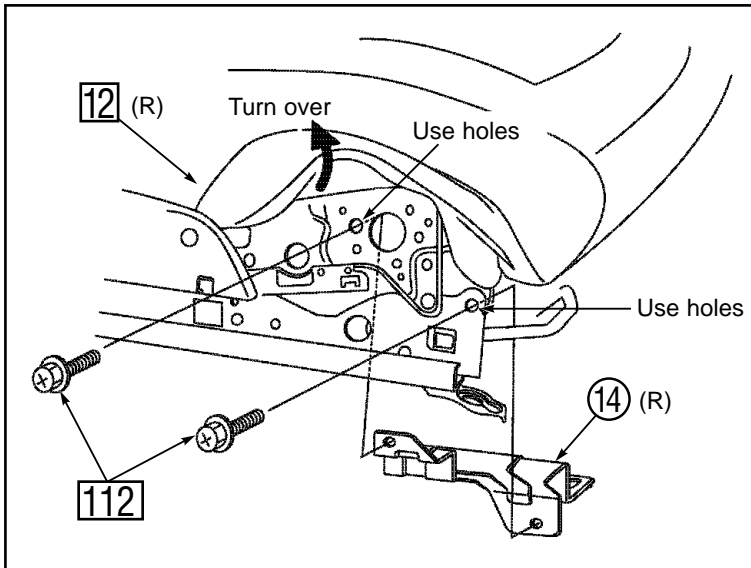


Fig. 21

11. Install the bracket (R) ⑭ to the passenger's seat right side ⑫.
⑪⑫: Screw (2x)

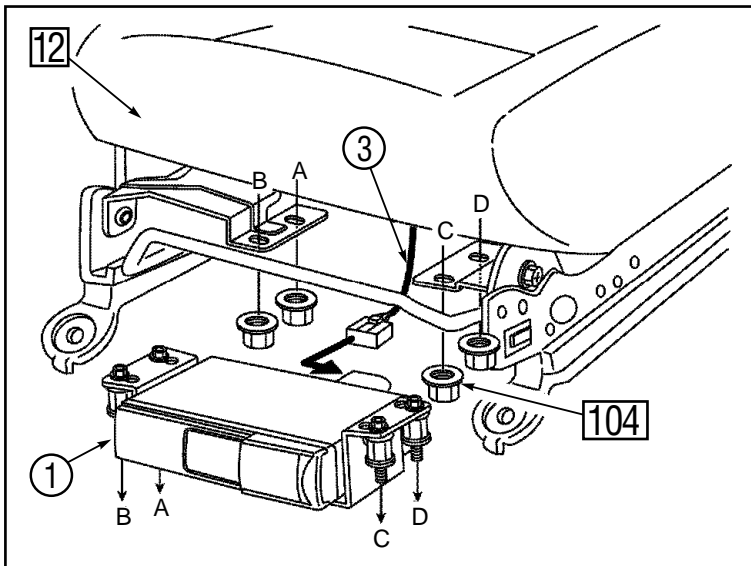


Fig. 22

12. Install the CD changer ① to the passenger's seat ⑫.
Connect the changer wire ③ to the CD changer ①.
⑪⑫: Screw (2x)



5. MD CHANGER INSTALLATION

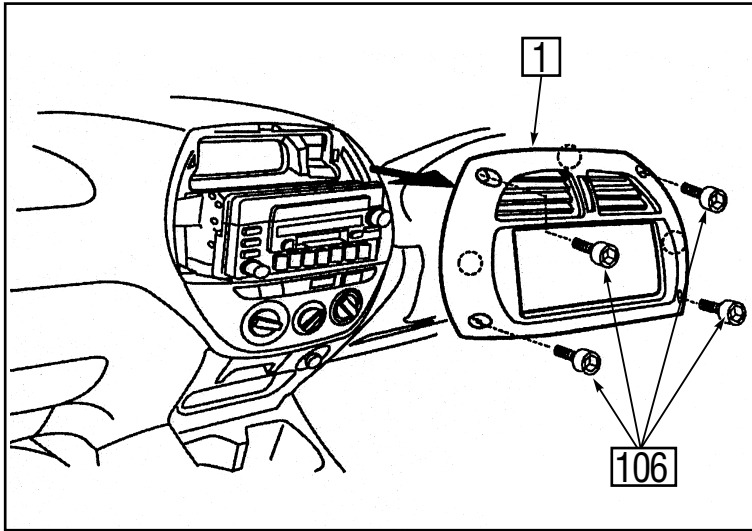


Fig. 23

1. Remove the centre cluster panel **1**.
 ○: Clip (3x)
106: Hexagon socket head cap screw (4x)

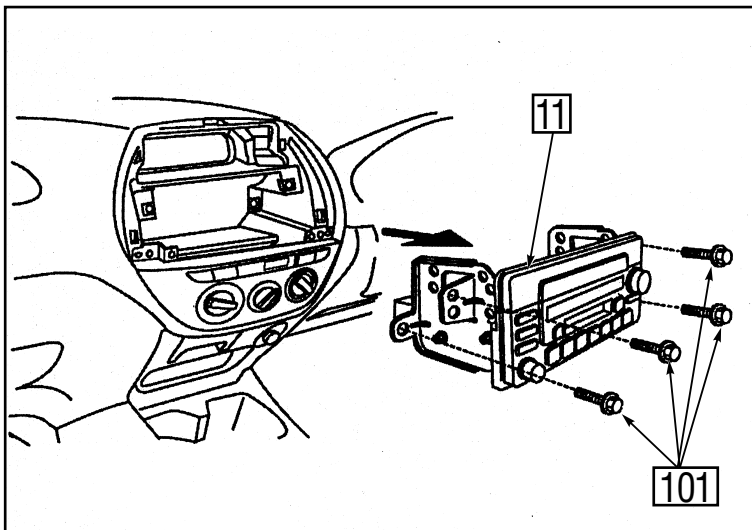


Fig. 24

2. Remove the combo **11**.
101: Bolt (4x)

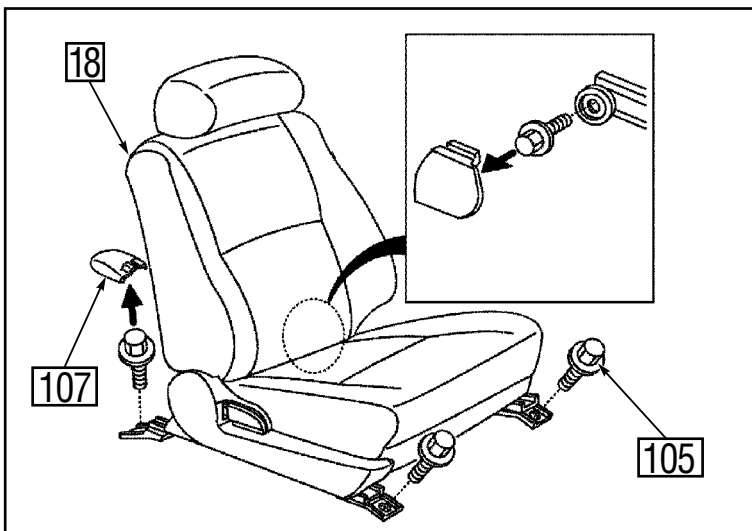


Fig. 25

INSTALLATION UNDER THE DRIVER'S SEAT

3. Remove the driver's seat **18**.
105: Bolt w/washer (4x)
107: Cover (2x)

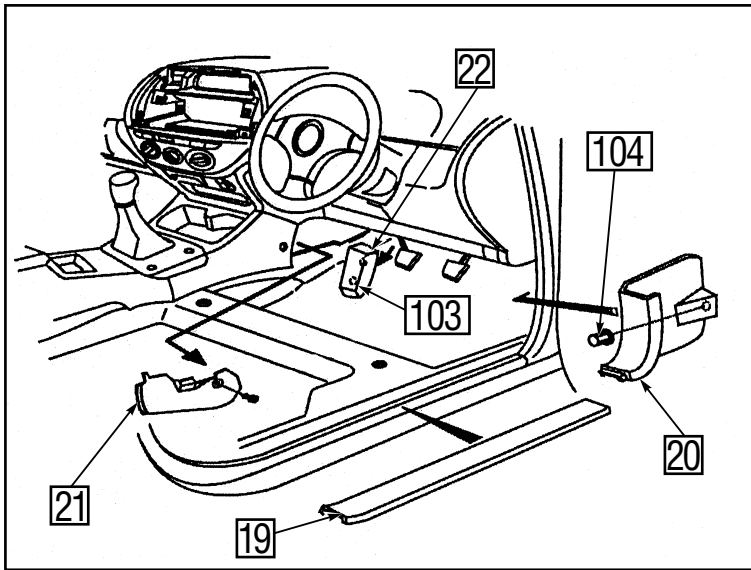


Fig. 26

4. Remove the scuff plate 19 (R) and cowl side trim 20 (R) and side cover 21 (R) and footrest 22.
 103: Clip (1x)
 104: Nut (1x)

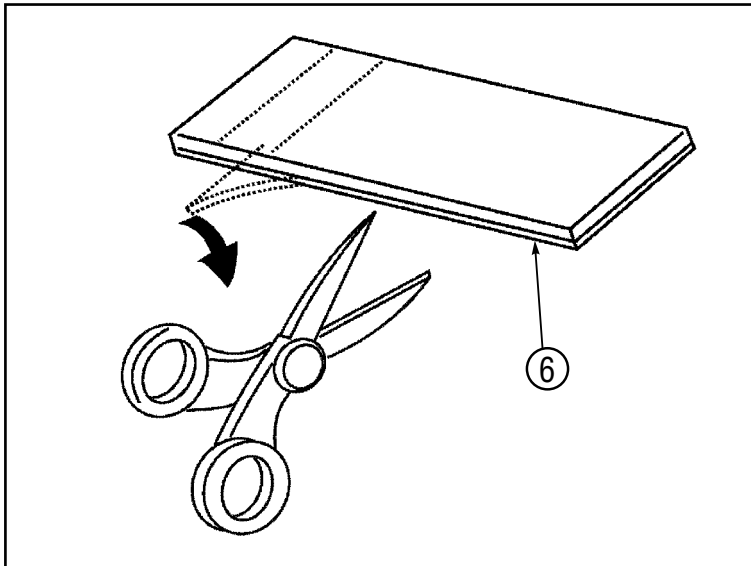


Fig. 27

5. Cut the tape 6 (10 pieces).

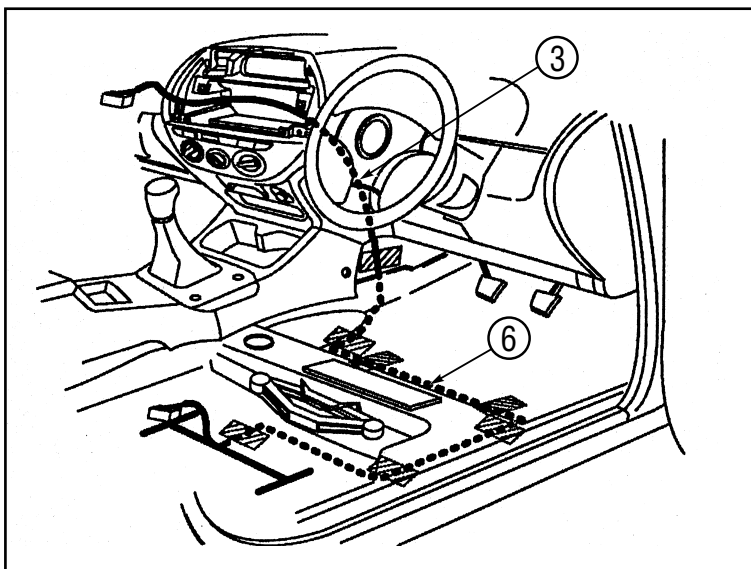


Fig. 28

6. Route the changer wire 3 and secure it with tapes 6 (7x).

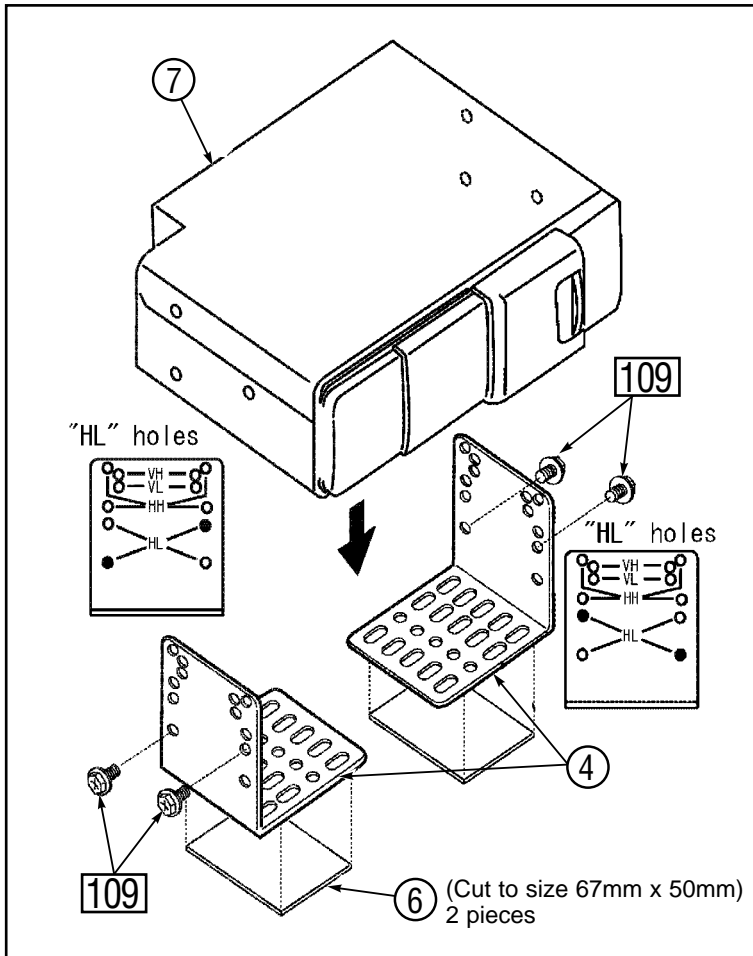


Fig. 29

7. Attach the side brackets ④ and tapes ⑥ to the MD changer ⑦.
 [109]: Screw (4x)

 - Component parts of MD changer ⑦

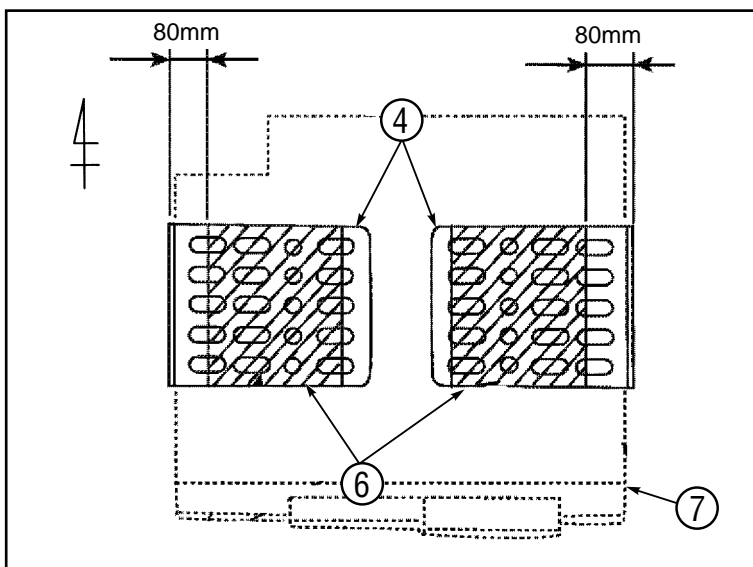


Fig. 30

8. Locate the tapes ⑥ to the side brackets ④.

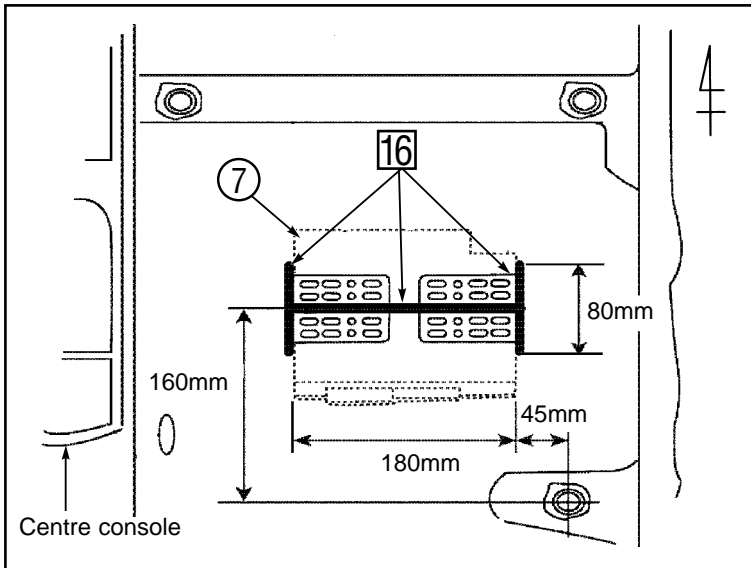


Fig. 31

9. Locate the MD changer (7) on the floor. Cut the carpet (16) as shown in the illustration.

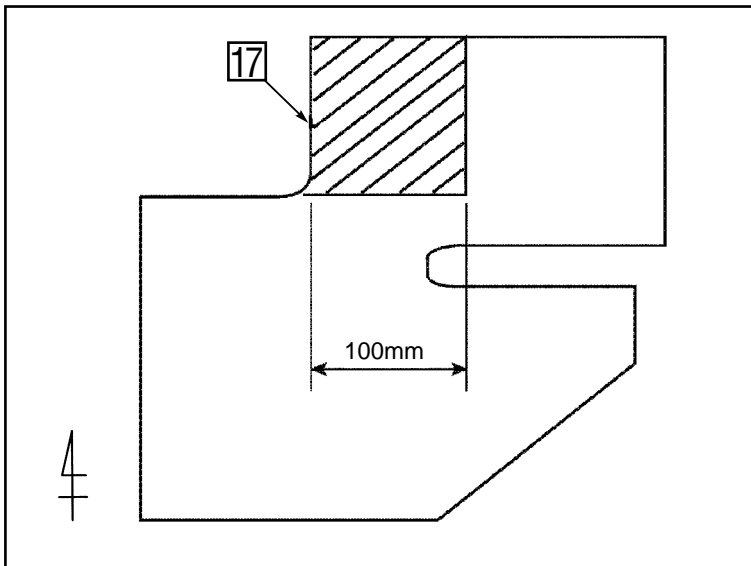


Fig. 32

10. Cut the insulator mat (17).

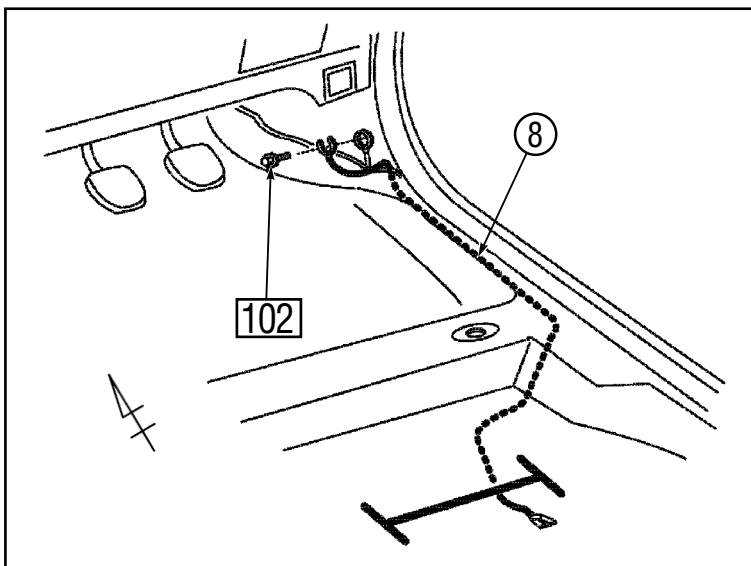


Fig. 33

11. Attach the ground wire (8).
 (102) : Screw (1x)

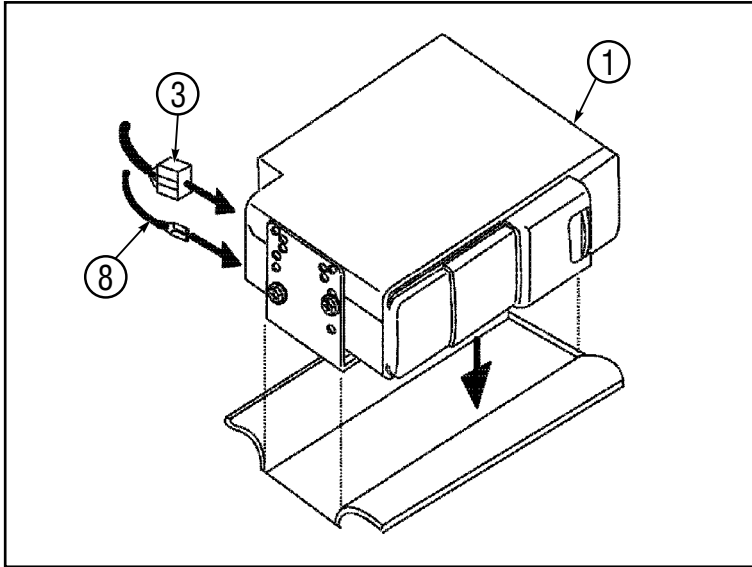


Fig. 34

12. Connect the changer wire (3) and the ground wire (8) to the changer unit (1). Then install the changer unit (1) to the base bracket (2).

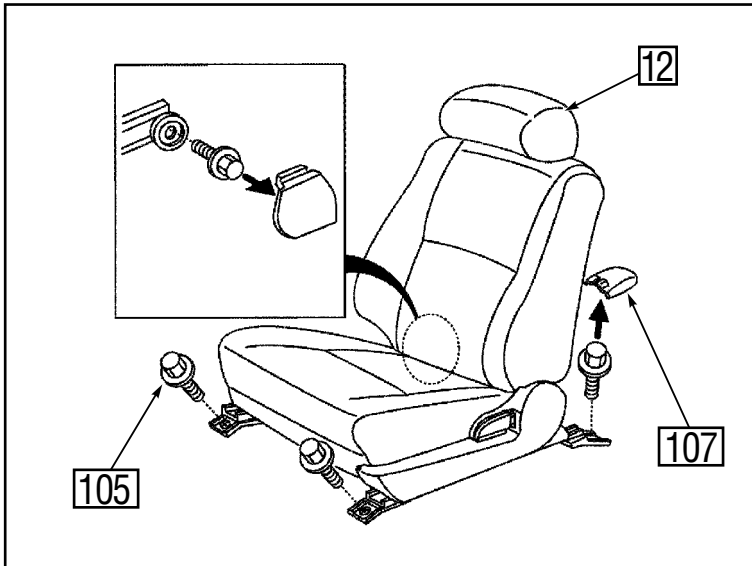


Fig. 35

INSTALLATION UNDER THE PASSENGER'S SEAT

13. Remove the passenger's seat (12).
 [105]: Bolt w/washer (4x)
 [107]: Cover (2x)

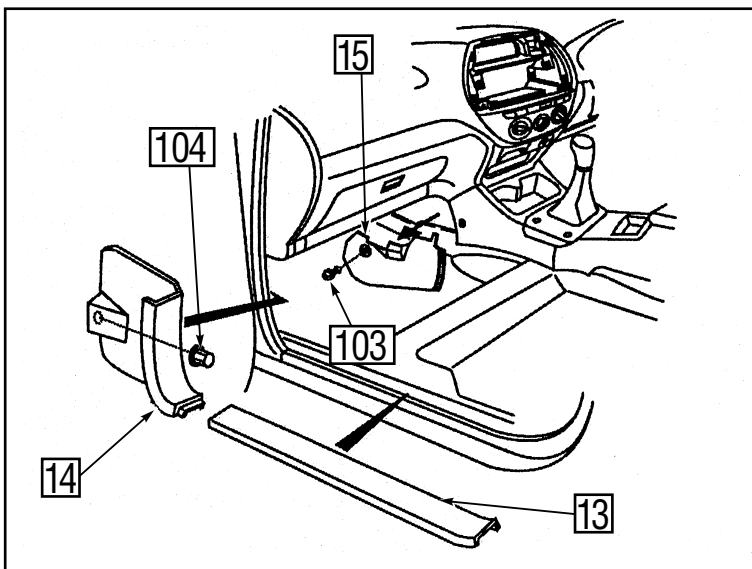


Fig. 36

14. Remove the scuff plate (13) (L) and cowl side trim (14) (L) and side cover (15) (L).
 [103]: Clip (1x)
 [104]: Nut (1x)

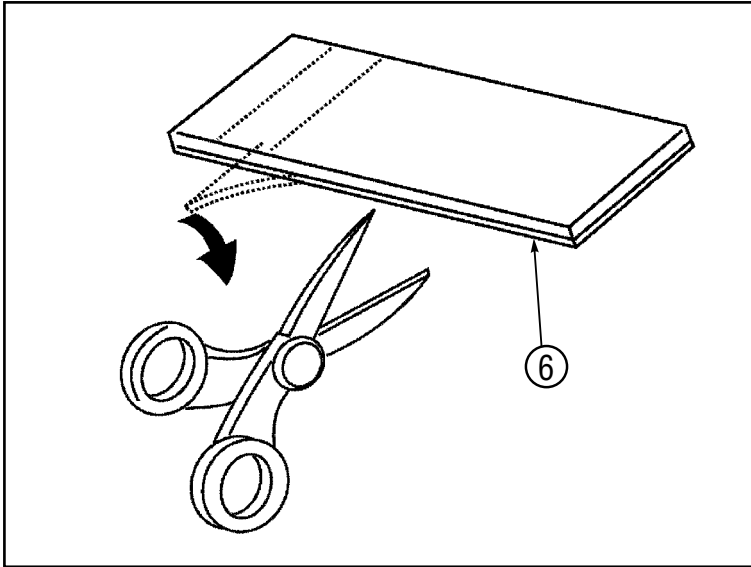


Fig. 37

15. Cut the tape ⑥ (10 pieces).

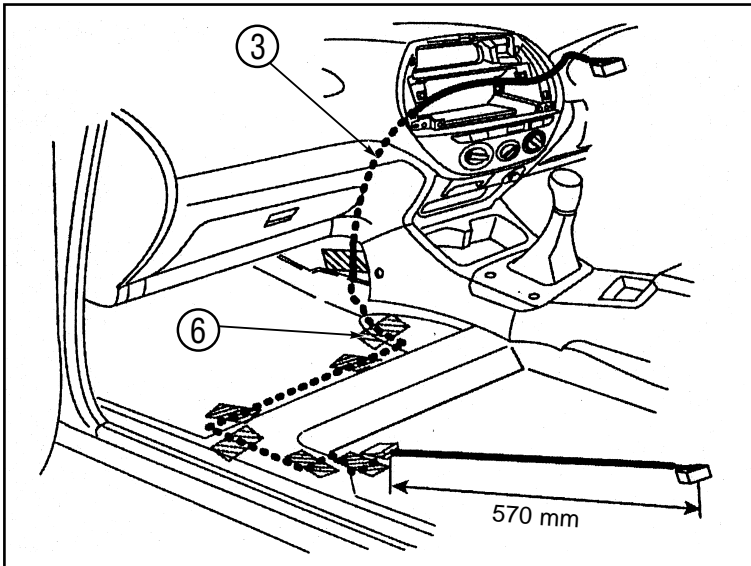


Fig. 38

16. Route the changer wire ③ and secure it with tapes ⑥ (7x).

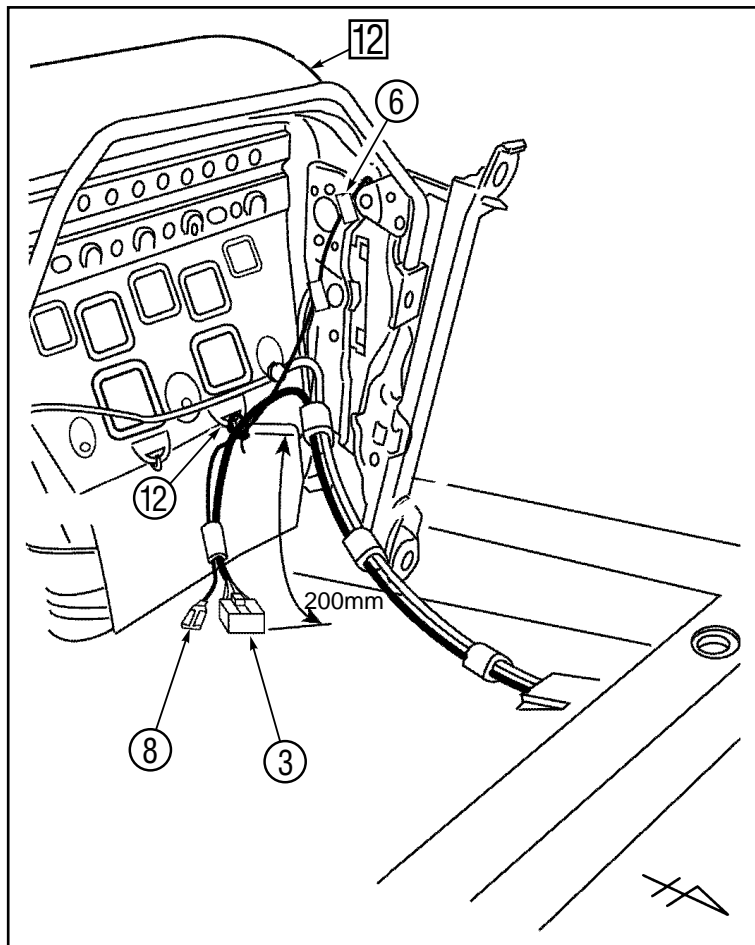


Fig. 39

17. Route the changer wire ③ and secure it with tapes ⑥ (6x) and a wire tie ⑫.

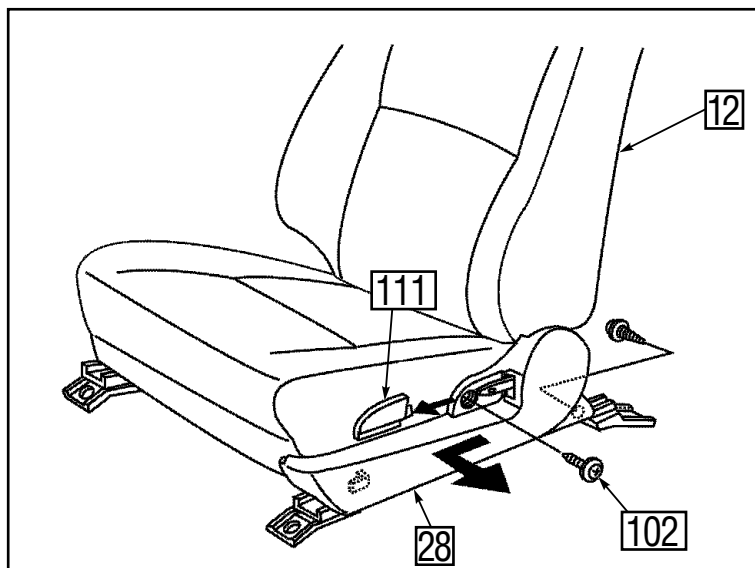


Fig. 40

18. Remove the cover ㉘.

- ㉘: Cover (1x)
- 102: Screw (2x)
- 111: Lever (1x)

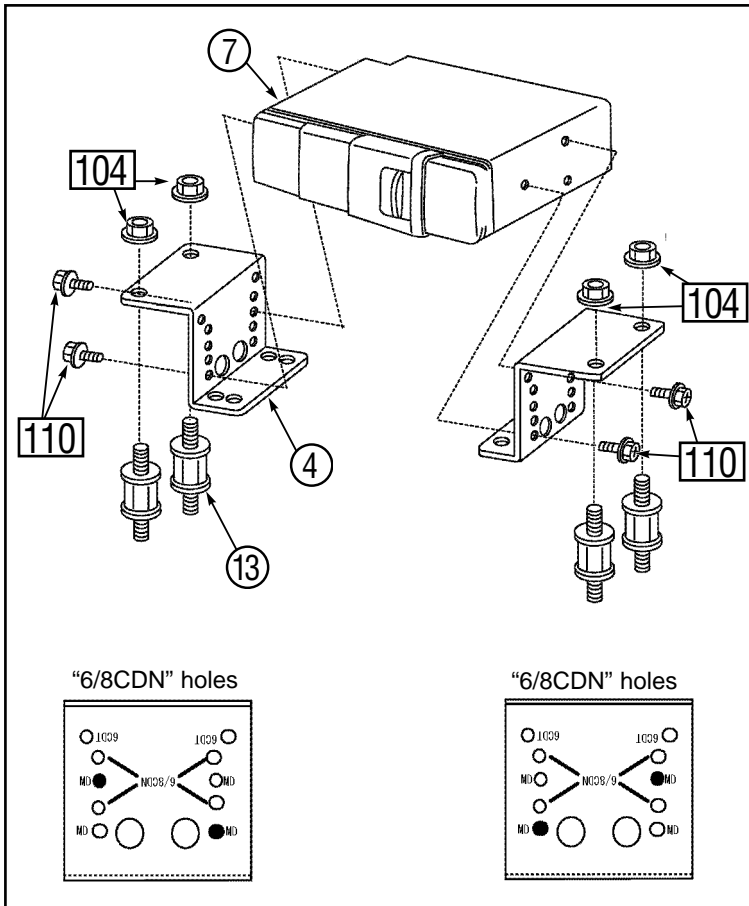


Fig. 41

19. Install the brackets (4) and dampers (13) to the MD changer (7).

102: Screw (1x)

104: Nut (4x)

110: Screw (4x)

CAUTION: Loosen the screws (110) (4x) before moving them. Tighten up after the position is changed.

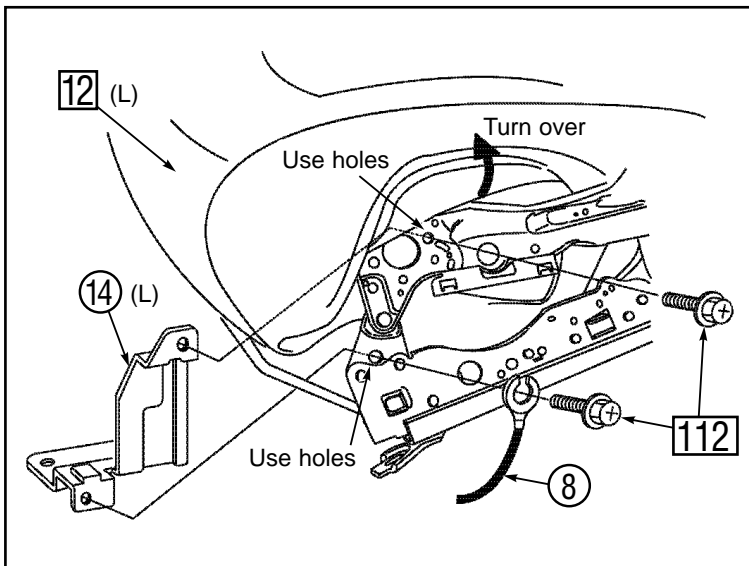


Fig. 42

20. Install the bracket (L) (14) to the passenger's seat left side (12).

112: Screw (2x)

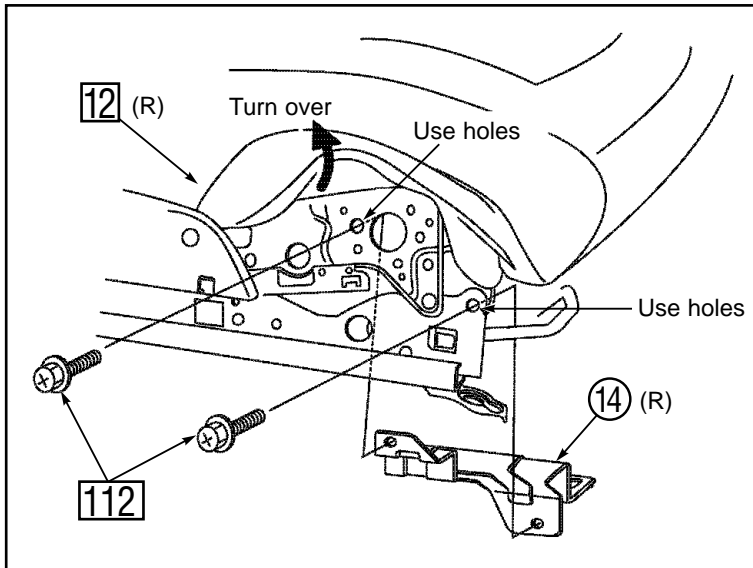


Fig. 43

21. Install the bracket (R) ⑭ to the passenger's seat right side ⑫.
⑪⑫: Screw (2x)

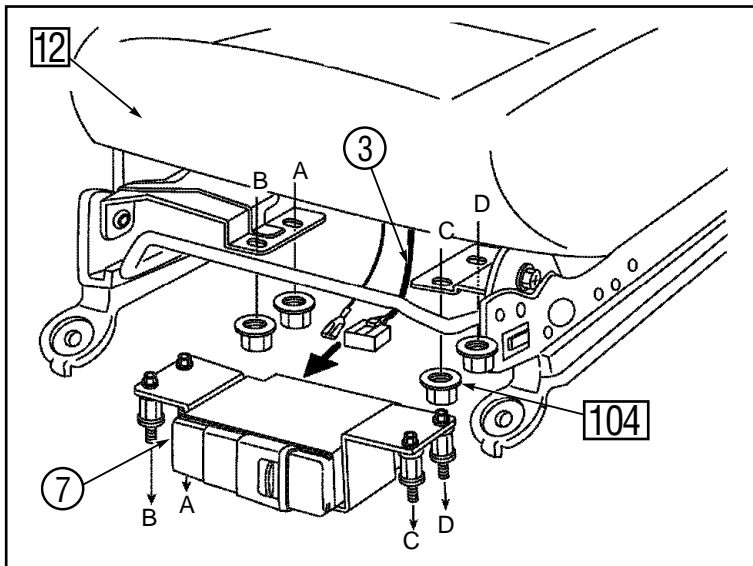



Fig. 44

22. Install the MD changer ① to the passenger's seat ⑫.
Connect the changer wire ③ to the MD changer ⑦.
⑪⑫: Screw (2x)

6. TWEETERS INSTALLATION 

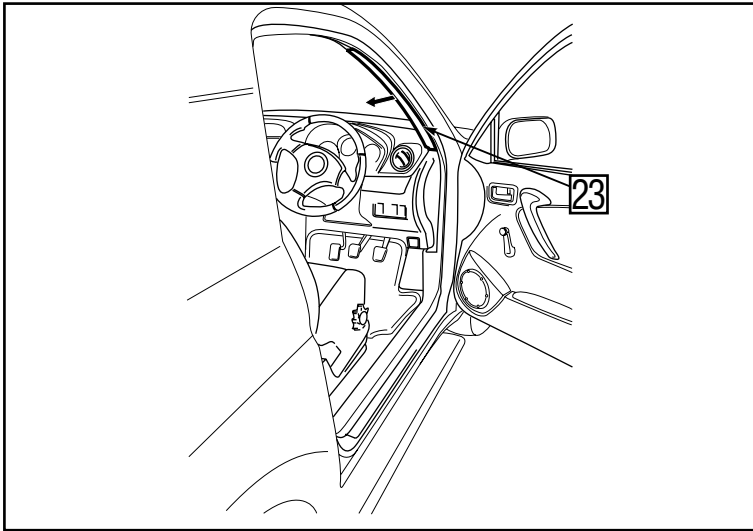


Fig. 45

1. Remove the A-pillar cover RH **23**.

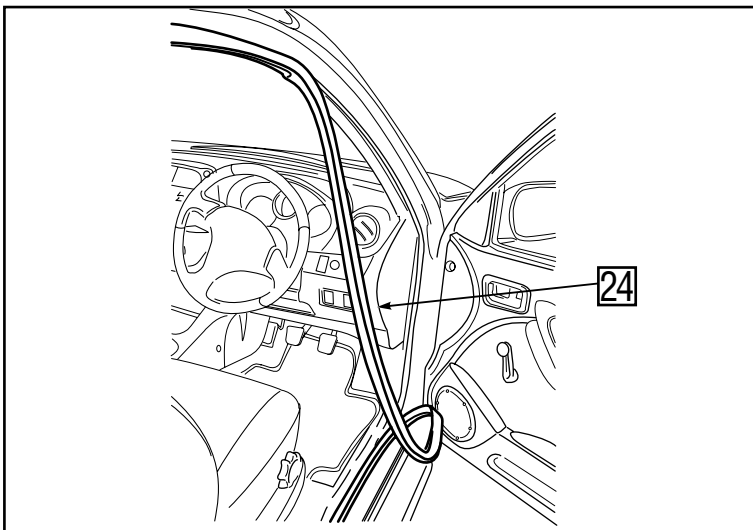


Fig. 46

2. Remove the driver's side rubber weather seal **24**.

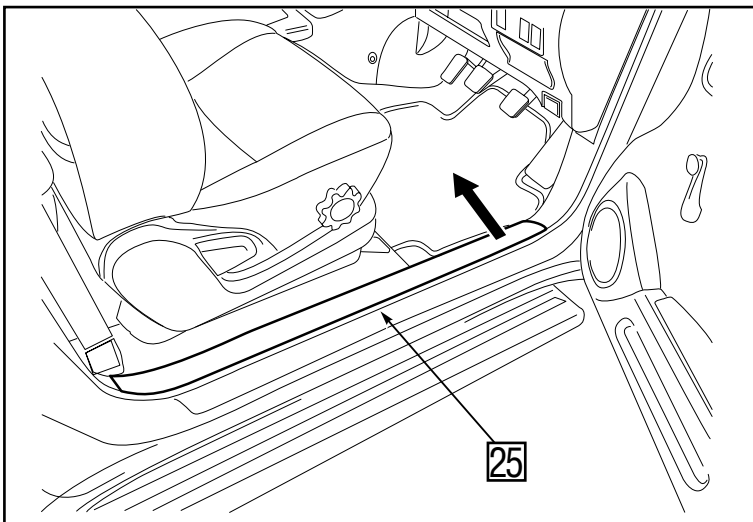


Fig. 47

3. Remove the driver's side step cover **25**.

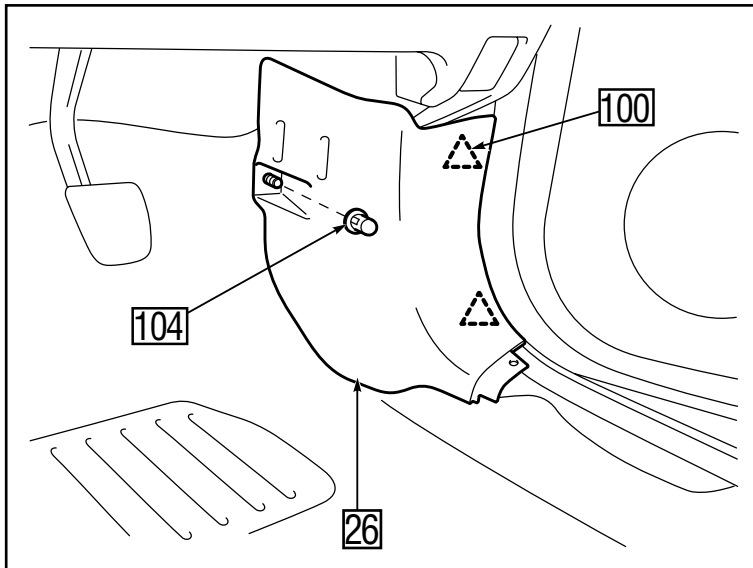


Fig. 48

4. Remove the cowl side panel (RH) 26.

100: Hook (2x)

104: Nut (1x)

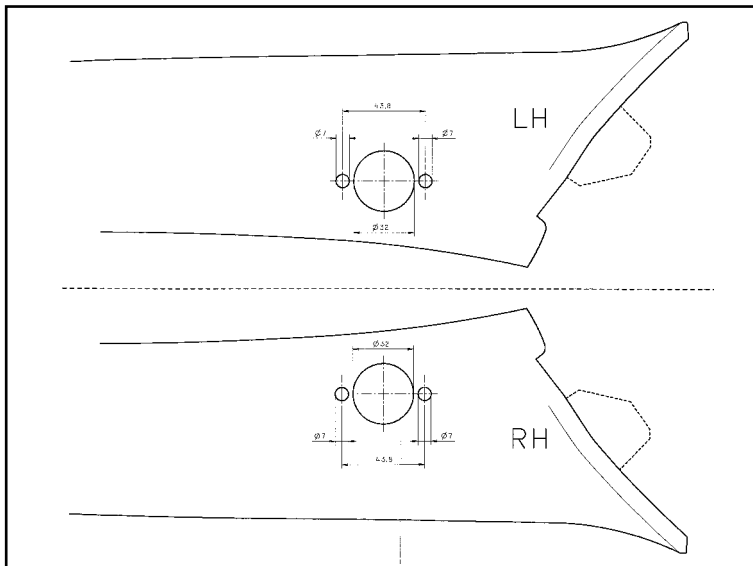


Fig. 49

5. Copy the template from the manual.
Cut out the template and put it on the A-pillar cover.

Drill 2 holes of 7 mm.

Drill a hole of 32 mm.

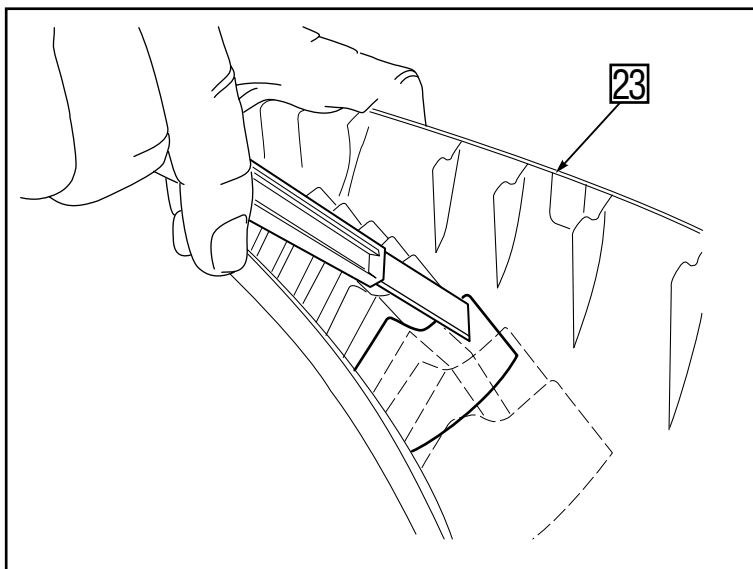


Fig. 50

6. Cut the webbing away on the lower two sections of the A-pillar cover 23.

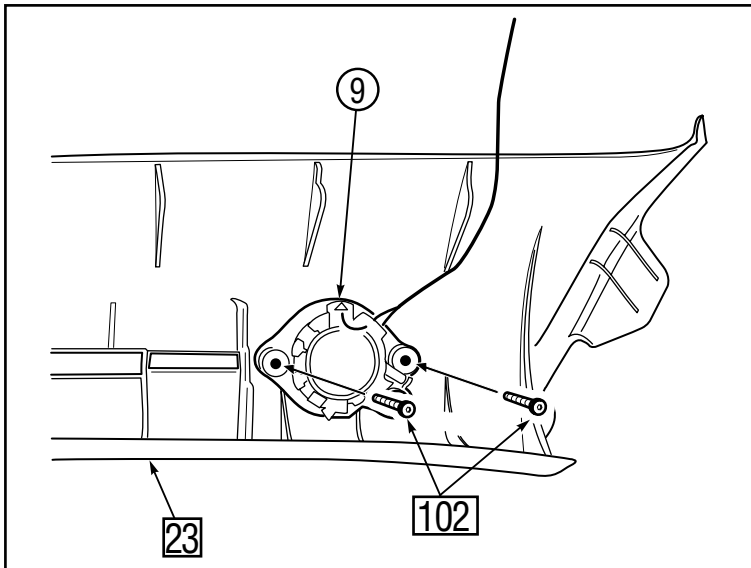


Fig. 51

7. Install the tweeter ⑨ on the A-pillar cover ⑳.
- ①①②: Screw (2x)
Mount the A-pillar cover ⑳ on the vehicle.

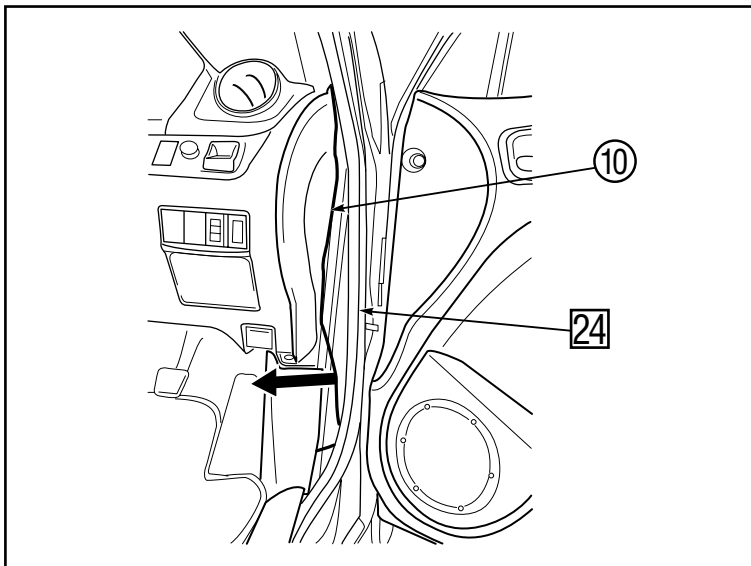


Fig. 52

8. Route the tweeter wire harness ⑩ behind the rubber weather seal ㉔.

REPEAT THE INSTRUCTIONS 1 TO 8 FOR THE LH-SIDE PARTS (FIG. 45 - 52)

LEFT HAND SIDE

9. Locate and disconnect the 13P connector (white).

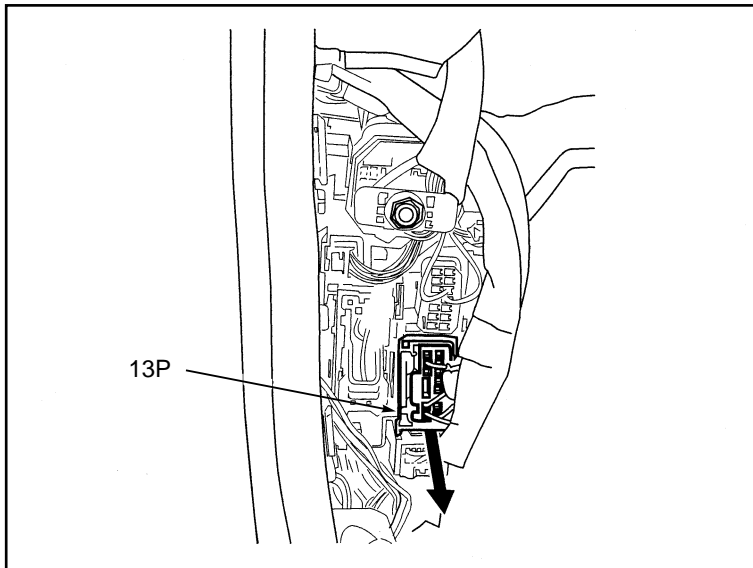


Fig. 53

10. Turn the connector so that the wires face you and the tab is on top. Connect the red/black wire of the tweeter to the violet wire of the second position from the left side of the upper row (pos. 4).

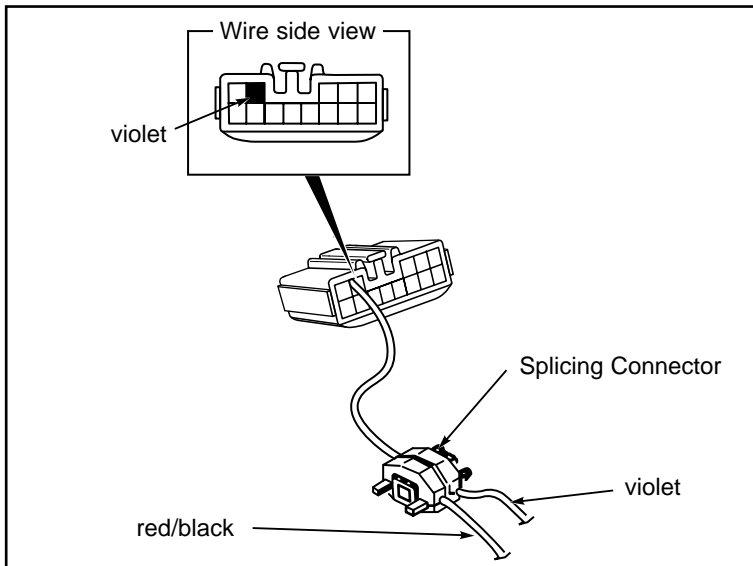


Fig. 54

11. Connect the red wire of the tweeter to the pink wire of the wire harness of the first position from the left side of the upper row (pos. 5).

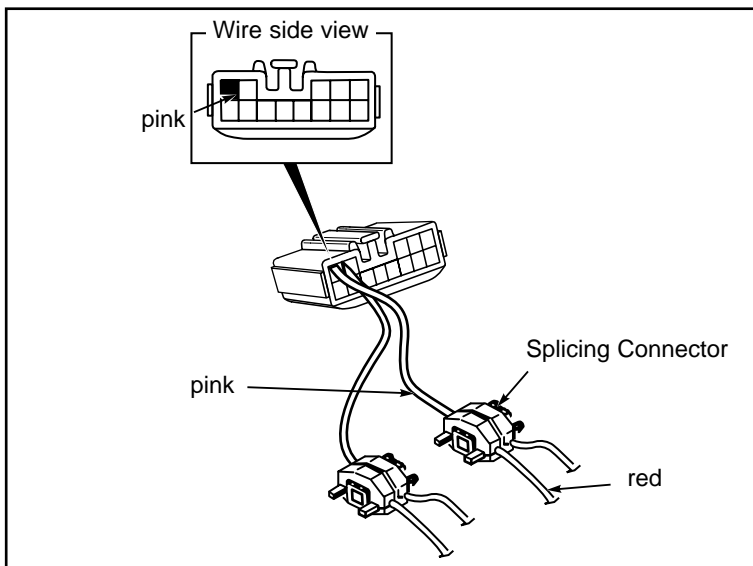


Fig. 55

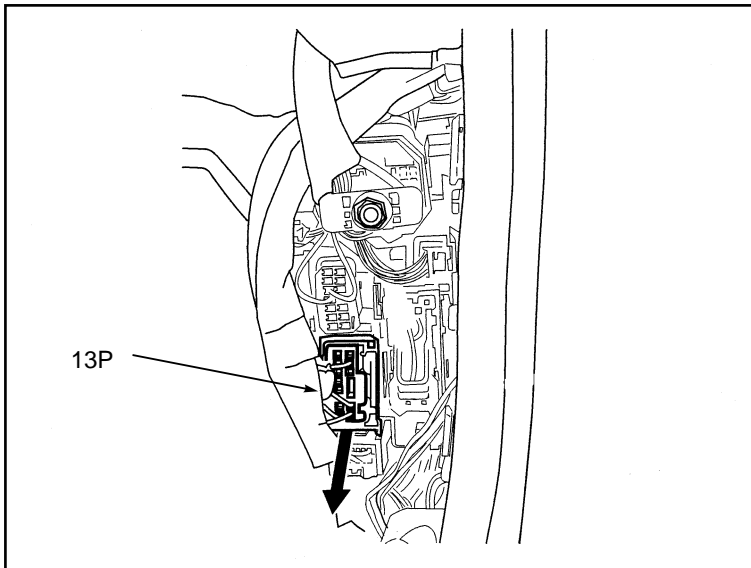


Fig. 56

RIGHT HAND SIDE

9. Locate and disconnect the 13P connector (white).

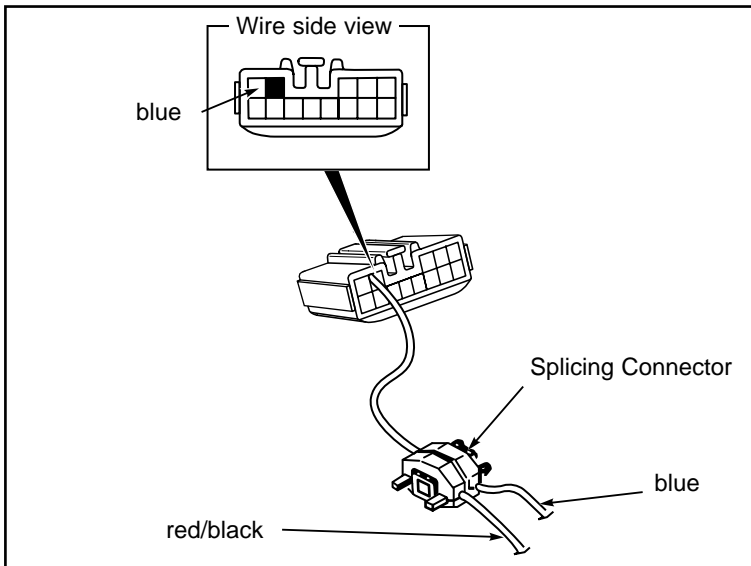


Fig. 57

10. Turn the connector so that the wires face you and the tab is on top. Connect the red/black wire of the tweeter to the blue wire of the second position from the left side of the upper row (pos. 4)

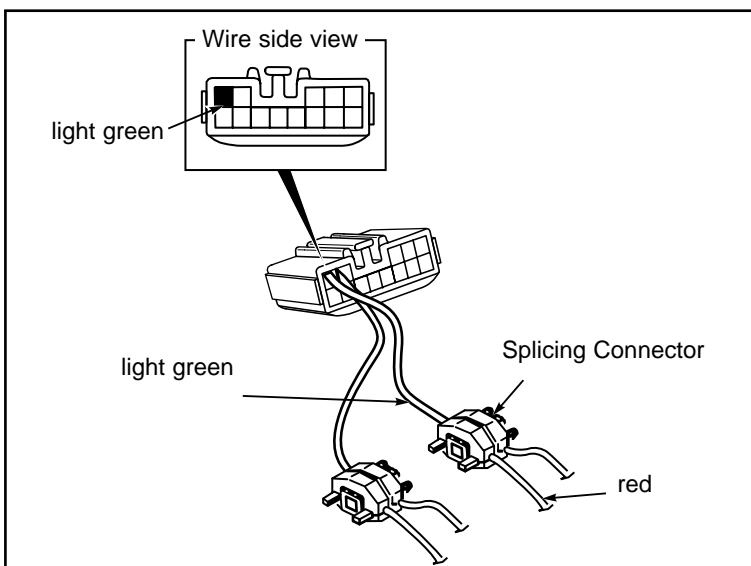


Fig. 58

11. Connect the red wire of the tweeter to the light green wire of the wire harness of the first position from the left side of the upper row (pos. 5).



7. SUBWOOFER INSTALLATION

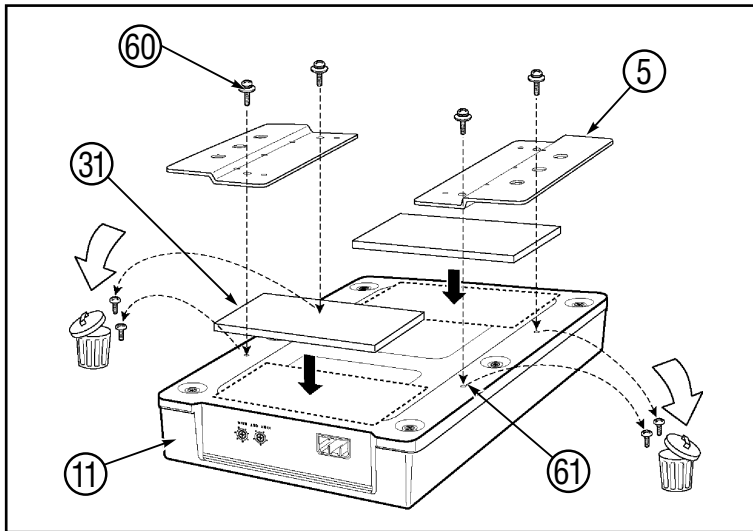


Fig. 59

1.
 - a) Fit the attachment bracket ⑤ to the subwoofer ⑪.
 ⑤: Bracket (2x)
 ⑥⑩: Screw w/washer (4x)
 ⑥⑪: Screw (4x)
 - b) Fit the cushion tape ③① to the subwoofer.
 ③①: Cushion tape (10mm) (2x)

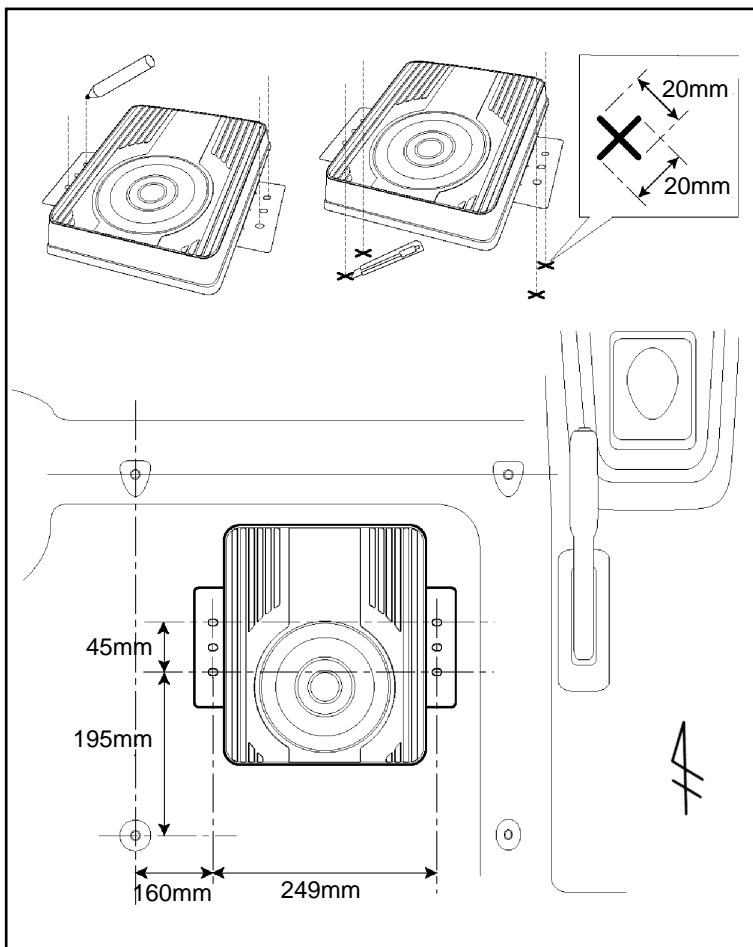


Fig. 60

2. Cut the carpet as shown in the illustration.

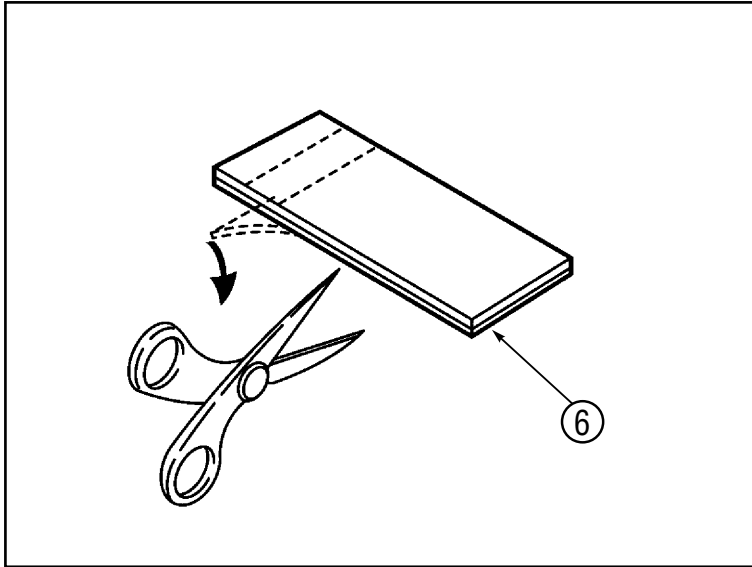


Fig. 61

3. Cut the tape ⑥ (10 pieces).

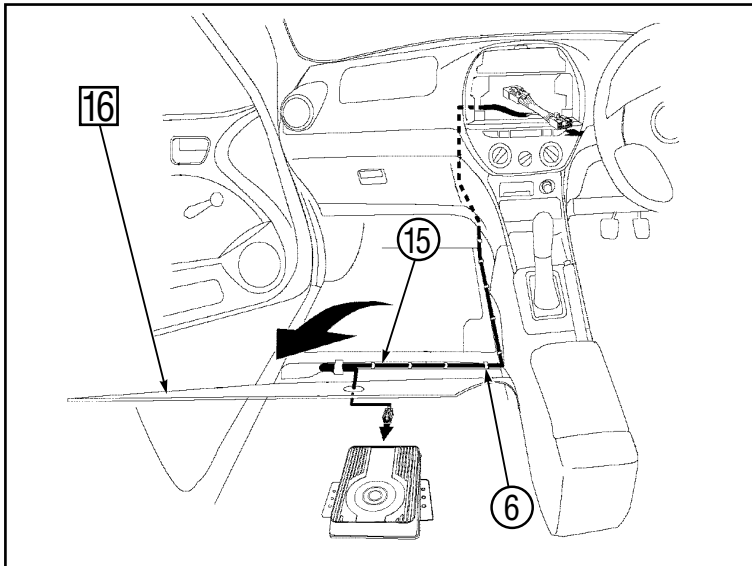


Fig. 62

4.
 a) Pull back the floor carpet ⑬.
 b) Route and tape the subwoofer wire harness ⑮ as shown.

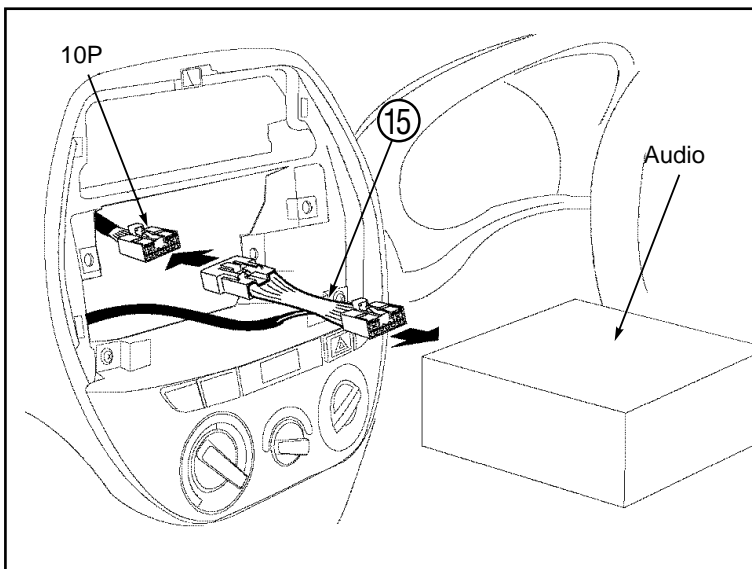


Fig. 63

5. Connect the subwoofer wire harness ⑮ to the 10P audio connector of the vehicle wire harness and to the audio unit.

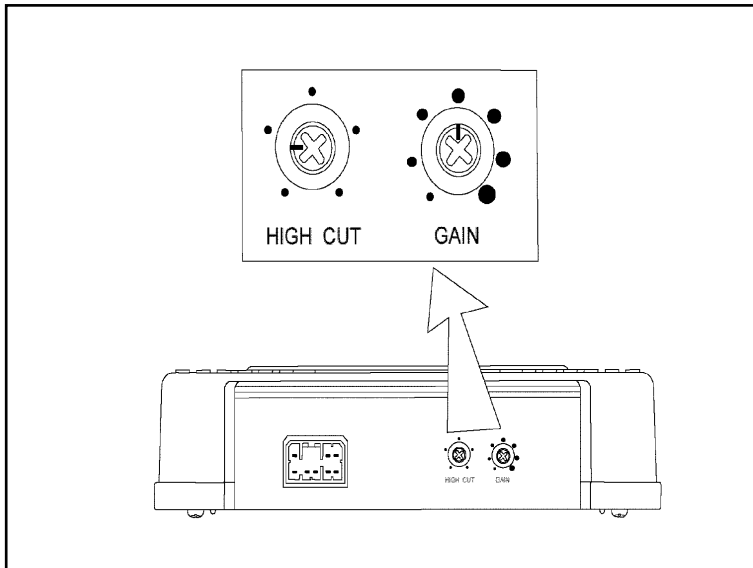


Fig. 64

6. Before installing the subwoofer adjust the high cut and gain to the correct position as shown in the illustration.

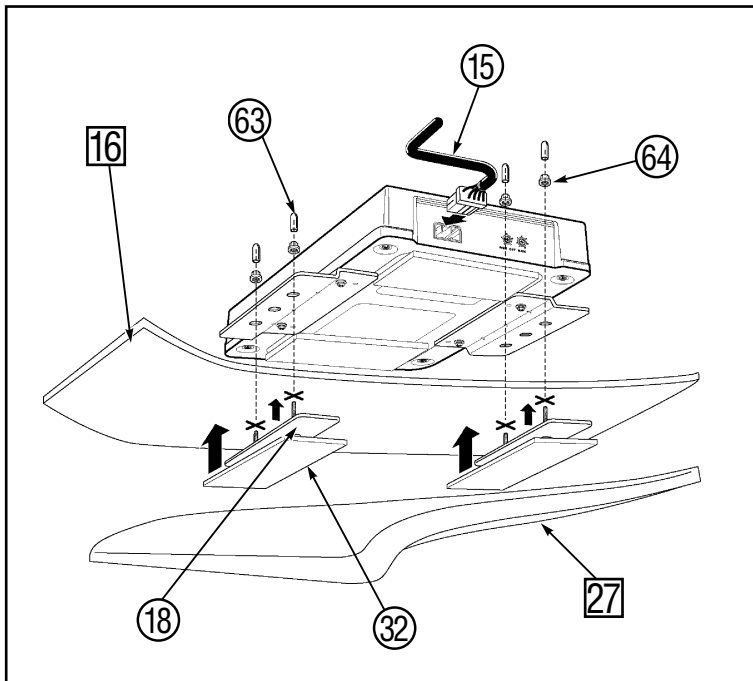


Fig. 65

- 7.
- Separate the felt 27 from the floor carpet 16.
 - Fit the base bracket 18 to the floor carpet 16 and attach the cushion tape 32.
 18: Base bracket (2x)
 32: Cushion tape (5mm) (2x)
 - Replace the felt 27 and floor carpet 16.
 - Fit the subwoofer to the base bracket 18 using the nut 64 and cap 63.
 63: Cap (4x)
 64: Nut (M5) (4x)
 - Connect the subwoofer wire 15 to the subwoofer.

TOYOTA
GENUINE PARTS