



Toyota Genuine Audio

INSTALLATION INSTRUCTIONS

FOR




RAV4 (RHD) - MMC

**** A2*R**

(Production date 08/03)

TABLE OF CONTENTS

1. Audio Application Chart	4
2. System Layout	6
3. 1.4Din Audio Installation	7
4. Wide 2Din Audio Installation	10
5. Seat Mounted CD-Changer Installation (Passenger Seat)	12
6. Subwoofer Installation	19

COMBINATION		HEAD UNIT		REQUIRED ADDITIONAL PARTS	
					
+ ADD-ON UNIT(S)					
		0.6 CD-Changer (orange) (08601-00914) 0.6 CD-Deck (orange) (08601-00909) Seat mount CD-Changer TMO461 (08601-00912) Navigation System TNS300 (08545-52800)			
1	Radio/Cassette (only)	08600-00964 (orange)			Cover plate (55522-42010)
2	Radio/Cassette + CD-Deck	08600-00964 (orange)	●		-
3	Radio/Cassette + CD-Changer	08600-00964 (orange) 08600-00964 (orange) 08600-00964 (orange)	●		Cover plate (55522-42010) F/K (08695-00803) + Cover plate (55522-42010)
4	Radio/CD (only)	08600-00966 (orange)		● (1)	Cover plate (55522-42010)
5	Radio/CD + CD-Deck	08600-00966 (orange)	●		
6	Radio/CD + CD-Changer	08600-00966 (orange) 08600-00966 (orange) 08600-00966 (orange)	●	● (1)	Cover plate (55522-42010) F/K (08695-00803) + Cover plate (55522-42010)
7	(Radio/Cassette/CD) + CD-Changer	MOP	● (1)		Conversion Harness 08695-00370 + F/K (08695-00803)
Full Map Navigation					

MOP: Factory installed option - (*): Outside temperature sensor PZ432-R0310-00 can be retro-fitted. - Subwoofer PZ08691-00834: On the floor under the passenger seat (if free)
 F/K 08695-00803: Hanging seat mounting kit - (1): Hanging under the passenger seat - (2): On the floor under the passenger seat

AUDIO & NAVIGATION APPLICATION CHART
 TMME-CS group - November 17th, 2003

RAV4 MMC **A2*

(RHD)

+ ADD-ON UNIT(S)

COMBINATION		HEAD UNIT		REQUIRED ADDITIONAL PARTS	
8	Radio/Cassette (only)	MOP-Unit or 08600-00954(orange) (*)		-	-
9	Radio/Cassette + CD-Changer	MOP-Unit or 08600-00954(orange) (*)	● (1)	F/K (08695-00803)	
10	Radio/Cassette + Navigation (TBT)	MOP-Unit or 08600-00954(orange) (*)	● (1)	F/K (08695-00803)	
11	Radio/Cassette + CD-Changer + Navigation (TBT)	MOP-Unit or 08600-00954(orange) (*)	● (1) ● (1)	F/K (08695-00803) F/K (08695-00803)	
12	Radio/CD (only)	MOP-Unit or 08600-00959 (orange) (*)		-	-
13	Radio/CD + CD-Changer	MOP-Unit or 08600-00959 (orange) (*)	● (1) ● (1)	F/K (08695-00803) F/K (08695-00803)	
14	Radio/CD + Navigation (TBT)	MOP-Unit or 08600-00959 (orange) (*)	● (2) ● (2)	F/K (08695-00803) F/K (08695-00803)	
15	Radio/CD + CD-Changer + Navigation (TBT)	MOP-Unit or 08600-00959 (orange) (*)	● (2) ● (2)	F/K (08695-00803) F/K (08695-00803)	

0.6 CD-Changer (orange) (08601-00914) 0.6 CD-Deck (orange) (08601-00909)
 Seat mount CD-Changer TM0461 (08601-00912) Navigation System TNS300 (08545-52800)



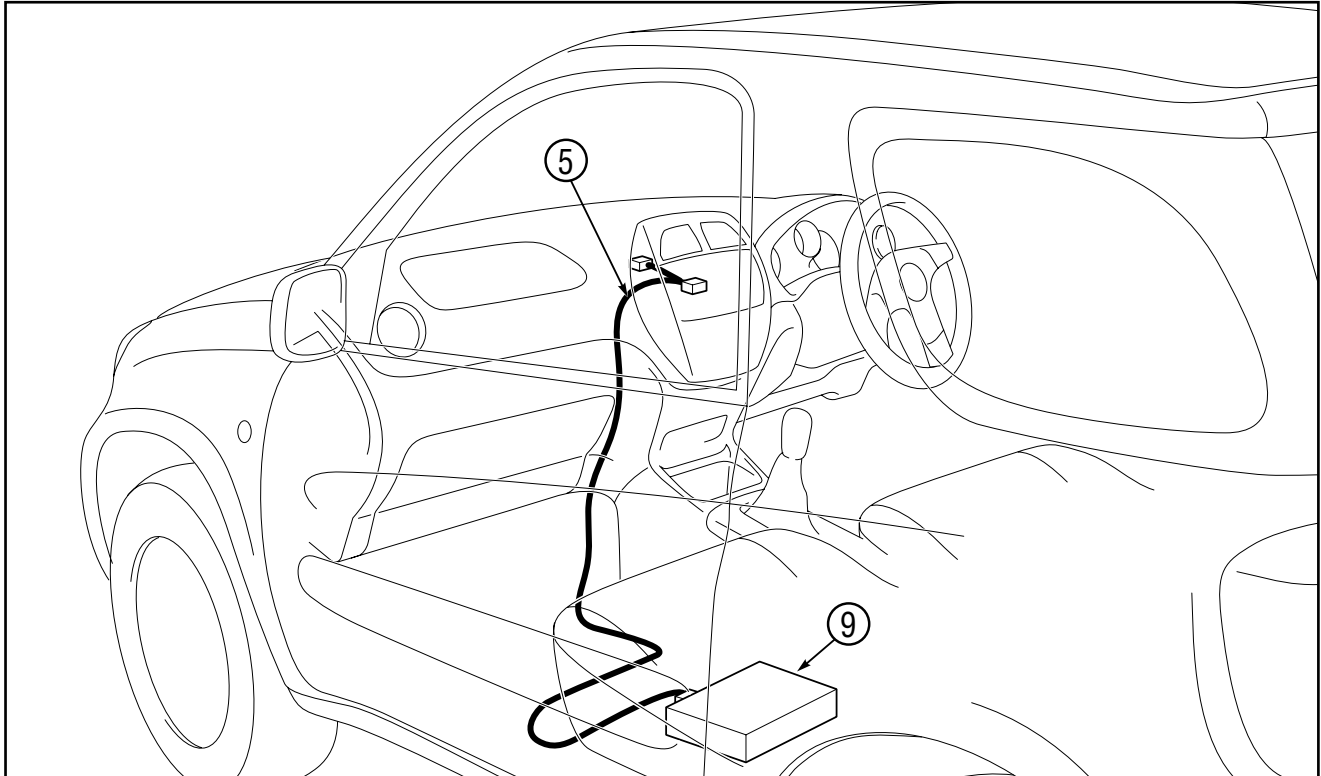
Wide 2-DIN Head-Unit

MOP: Factory installed option - (*): Outside temperature sensor PZ432-R0310-00 can be retro-fitted. - Subwoofer PZ08691-00834: On the floor under the passenger seat (if free)
 F/K 08695-00803: Hanging seat mounting kit - (1): Hanging under the passenger seat - (2): On the floor under the passenger seat

2. SYSTEM LAYOUT



2.1 CD-CHANGER INSTALLATION UNDER THE PASSENGER SEAT



NOTE:

To install the CD-changer in hanging position under the passenger seat, you will need the seat-mounted 6 CD-changer TM0461 (08601-00912) and the seat-mounting kit F/K (08695-00803).

3. 1.4DIN AUDIO INSTALLATION

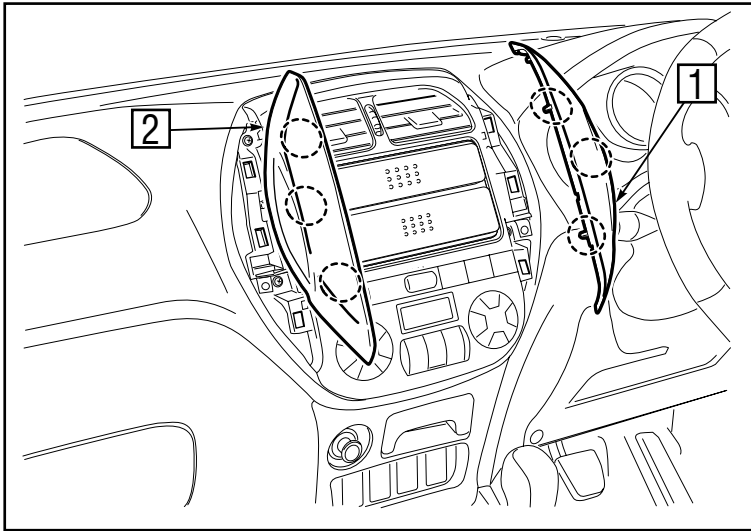


Fig. 1

1. Remove the covers **1** and **2**.
○: Clip (6x)

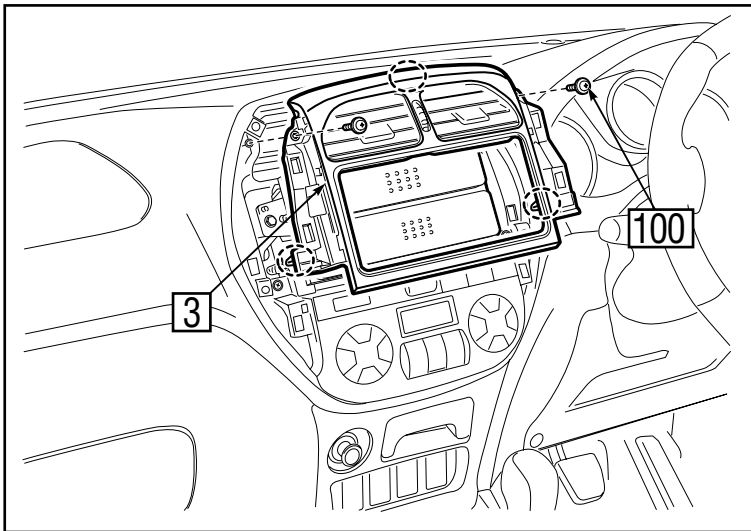


Fig. 2

2. Remove the centre cluster panel **3**.
○: Clip (3x)
100: Screw (2x)

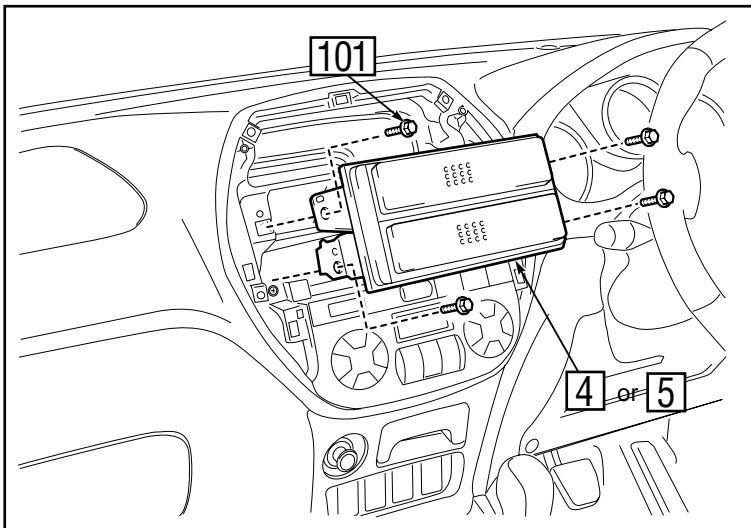


Fig. 3

3. Remove the accessory boxes **4** or cover plates **5**.
101: Screw (4x)

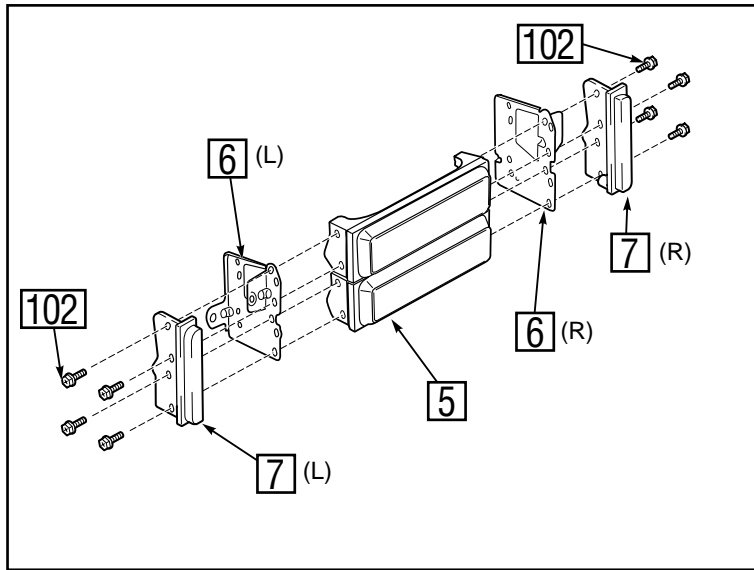


Fig. 4

4. Remove the brackets **6** and panels **7** from the cover plates **5**.
102: Screw (8x)

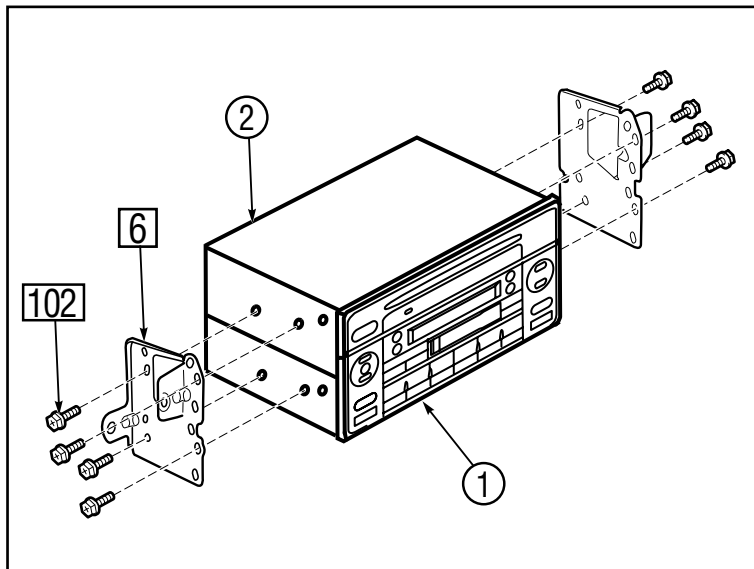


Fig. 5

In case of 1.4DIN Combo + 0.6DIN Add on unit

5. Mount the brackets **6** (2x) onto the 1.4 DIN combo **1** and 0.6DIN add on unit **2**.
102: Screw (8x)

NOTE
 For part number see audio application chart pages 4 to 5.

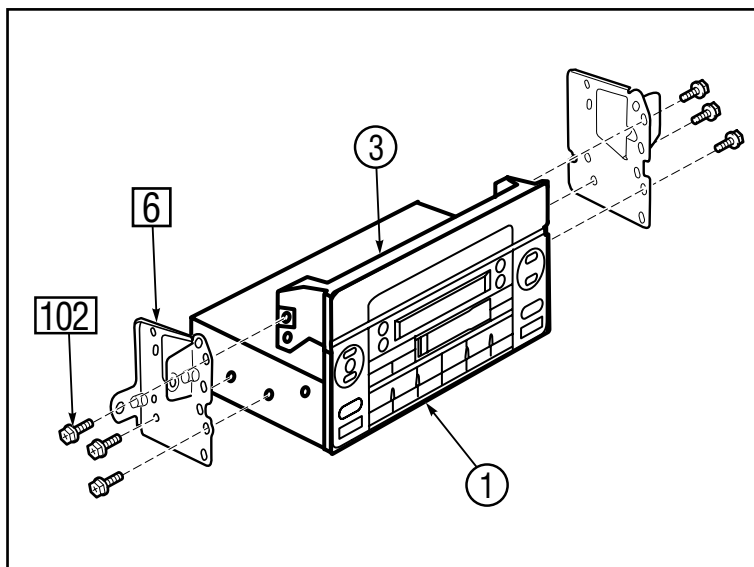


Fig. 6

IN CASE OF 1.4DIN COMBO + 0.6DIN COVER PLATE

6.
 - a) Fit the 0.6-DIN cover plate **3**.
 - b) Mount the brackets **6** (2x) onto the 1.4 DIN combo **1** and 0.6DIN cover plate **3**.
102: Screw (6x)

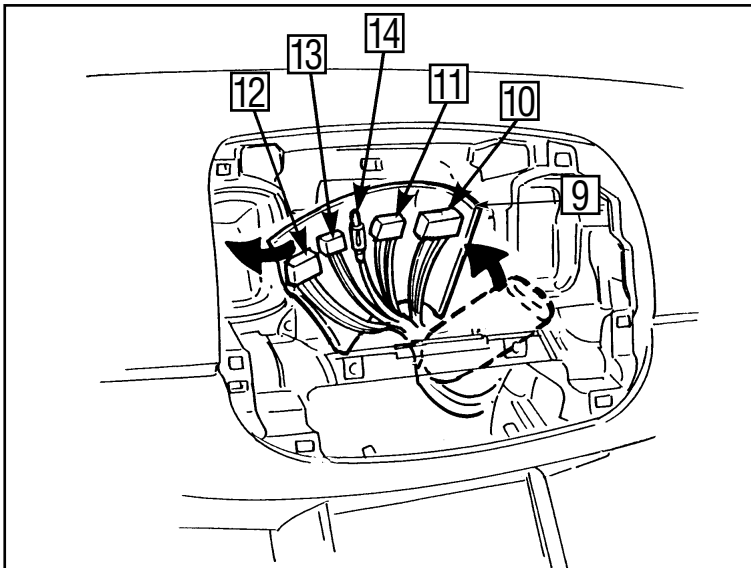


Fig. 7

7. Before fitting the assembly **8** (1.4DIN combo + 0.6DIN add on unit or 1.4DIN combo + 0.6DIN cover plate) to the vehicle, remove the adhesive tape **9** securing the vehicle connectors (18P **10**, 12P **11**, 10P **12**, 6P **13**) and antenna plug **14**.

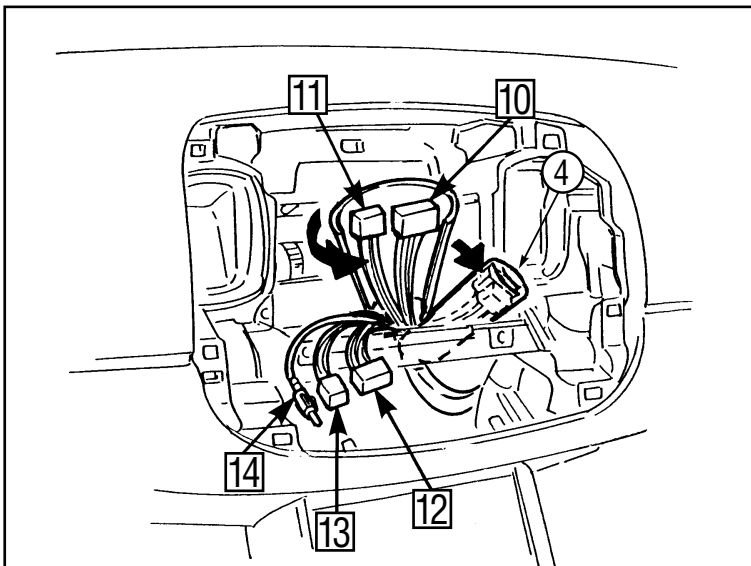


Fig. 8

8. Wrap the surplus connectors (18P **10**, 12P **11**) with tape, and connect the vehicle connectors (10P **12**, 6P **13**) and antenna plug **14** to the assembly. Affix to the connector harness with tape **4** to prevent noise.

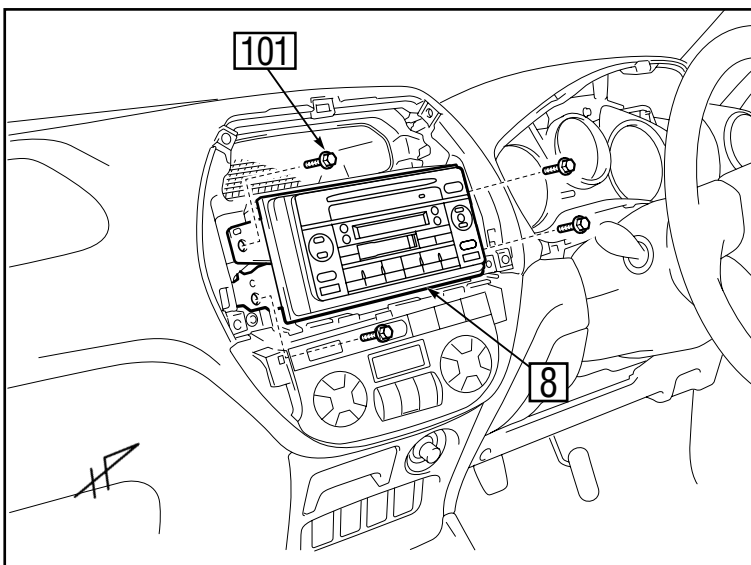


Fig. 9

9. Install the assembly **8** (1.4DIN combo + 0.6DIN add on unit or 1.4DIN combo + 0.6DIN cover plate).
101: Screw (4x)

ENSURE THAT ALL REMOVED CONNECTORS ARE PUT BACK CORRECTLY. REFIT THE TRIM AND REMOVED PARTS.



4. WIDE 2DIN AUDIO INSTALLATION

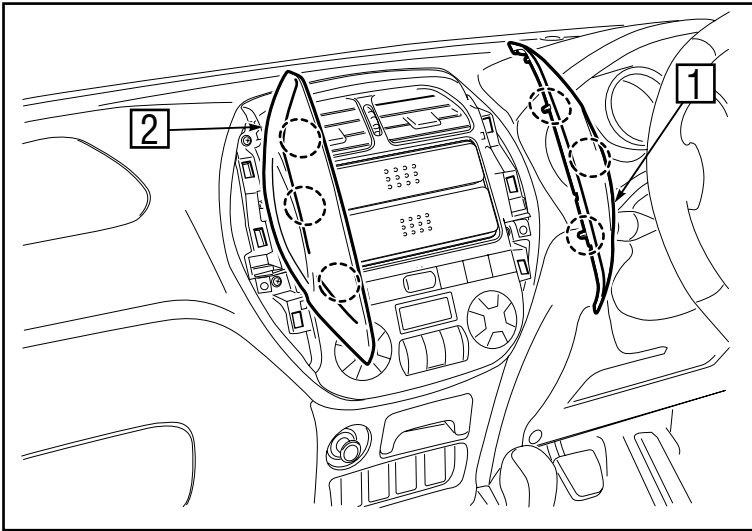


Fig. 10

1. Remove the covers **1** and **2**.
○: Clip (6x)

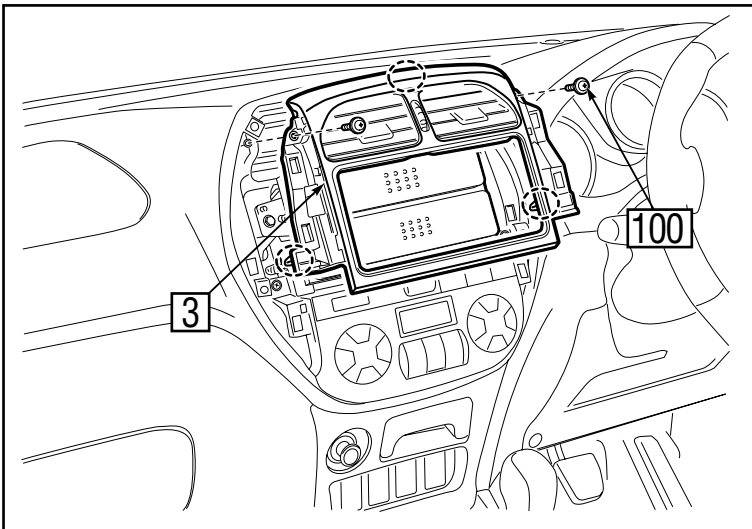


Fig. 11

2. Remove the centre cluster panel **3**.
○: Clip (3x)
100: Screw (2x)

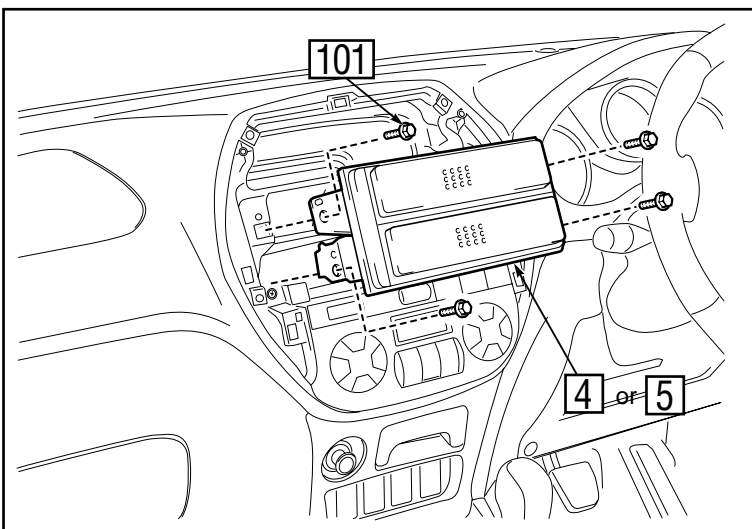


Fig. 12

3. Remove the accessory boxes **4** or cover plates **5**.
101: Screw (4x)

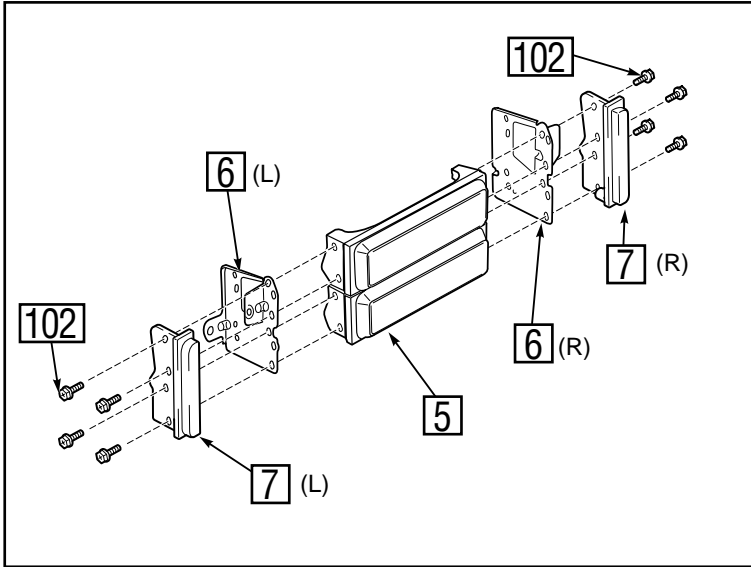


Fig. 13

- Remove the brackets [6] and panels [7] from the cover plates [5].
[102]: Screw (8x)

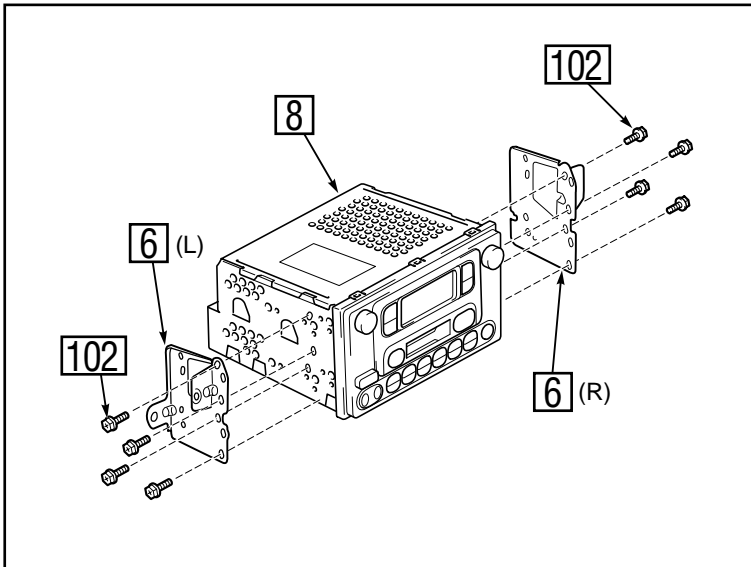


Fig. 14

- Mount the brackets [6] onto the audio assembly [8].
[102]: Screw (8x)

NOTE

For part number see audio application chart pages 4 to 5.

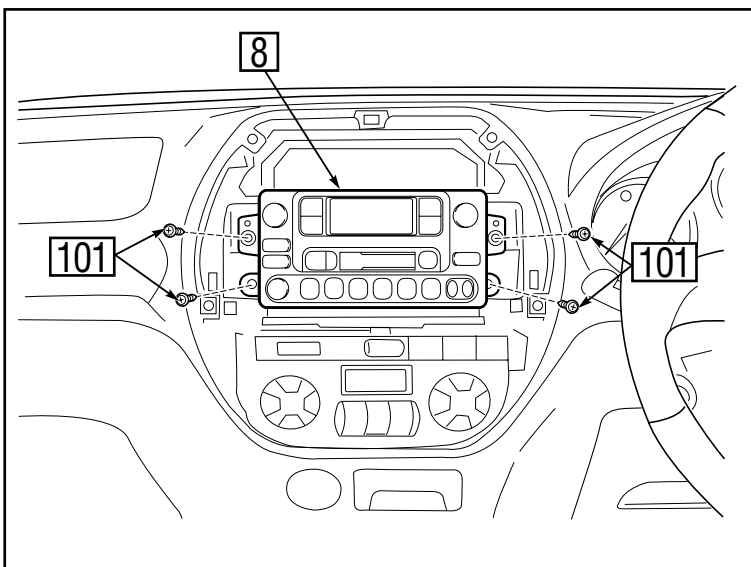


Fig. 15

- Before fitting the audio assembly [8] to the vehicle connect the vehicle audio connectors (10P/6P), the AVC-connector (12P), the display connector (18P) and the antenna.
[101]: Screw (4x)

ENSURE THAT ALL REMOVED CONNECTORS ARE PUT BACK CORRECTLY. REFIT THE TRIM AND REMOVED PARTS.

5. SEAT MOUNTED CD-CHANGER INSTALLATION (Passenger Seat)

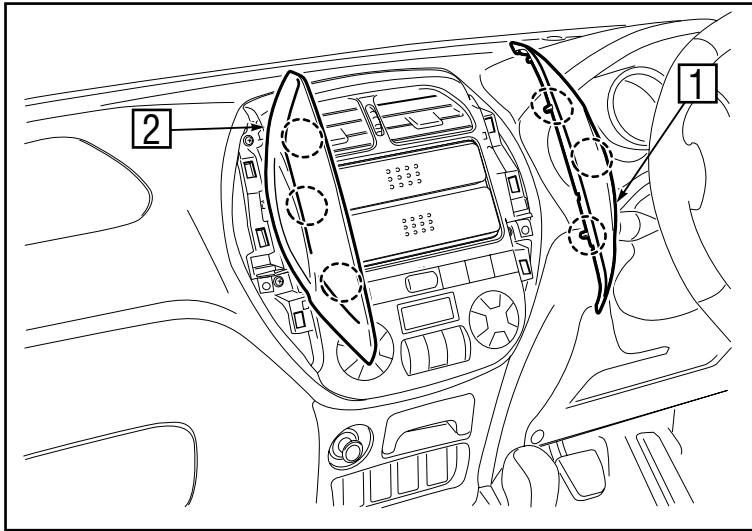


Fig. 16

1. Remove the covers [1] and [2].
○: Clip (6x)

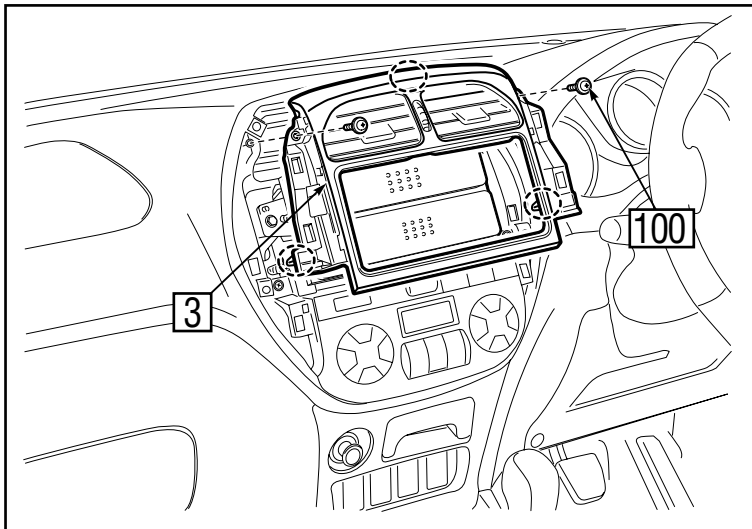


Fig. 17

2. Remove the centre cluster panel [3].
○: Clip (3x)
[100]: Screw (2x)

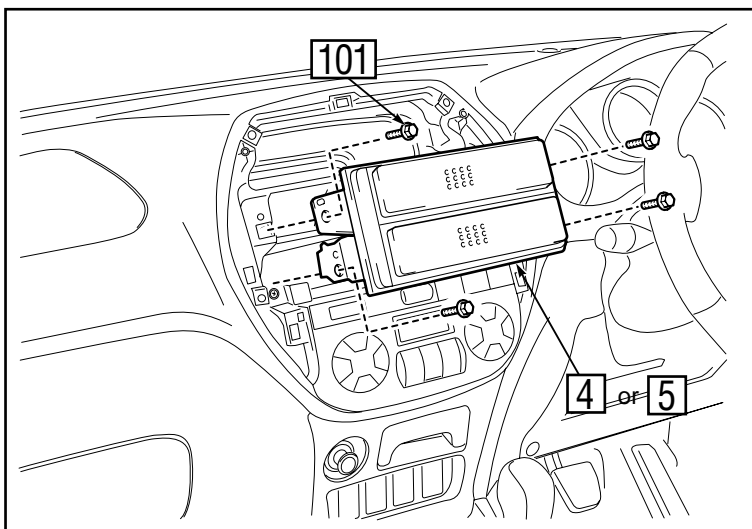


Fig. 18

3. Remove the accessory boxes [4] or cover plates [5].
[101]: Screw (4x)

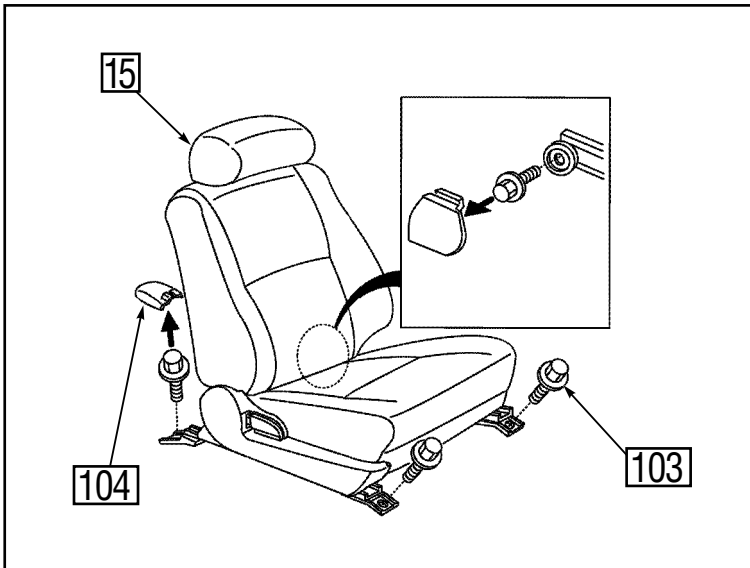


Fig. 19

4. Remove the passenger seat 15.
 103: Bolt w/washer (4x)
 104: Cover (2x)

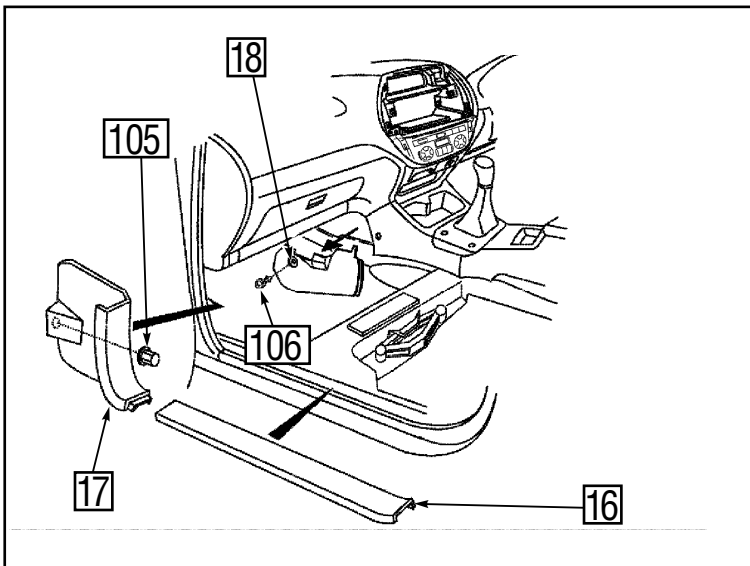


Fig. 20

5. Remove the front door scuff plate 16 (L) and kick panel 17 (L) and side cover 18 (L).
 106: Clip (1x)
 105: Nut (1x)

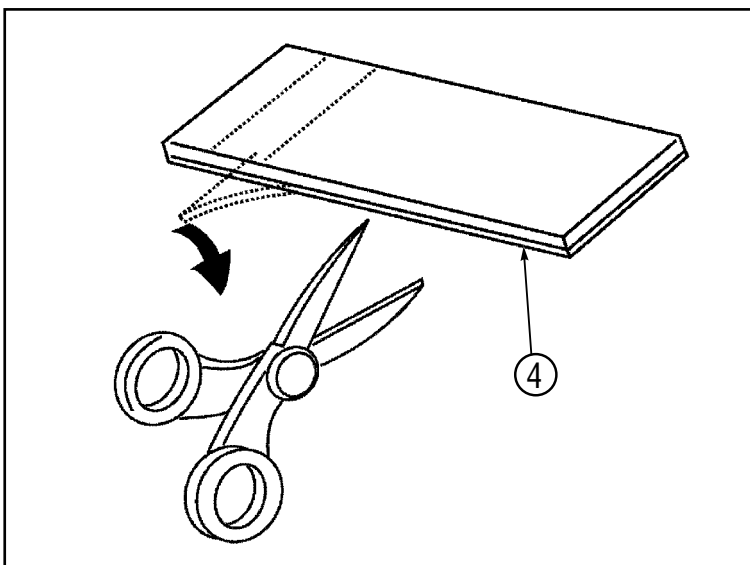


Fig. 21

6. Cut the tape 4 into 10 pieces.

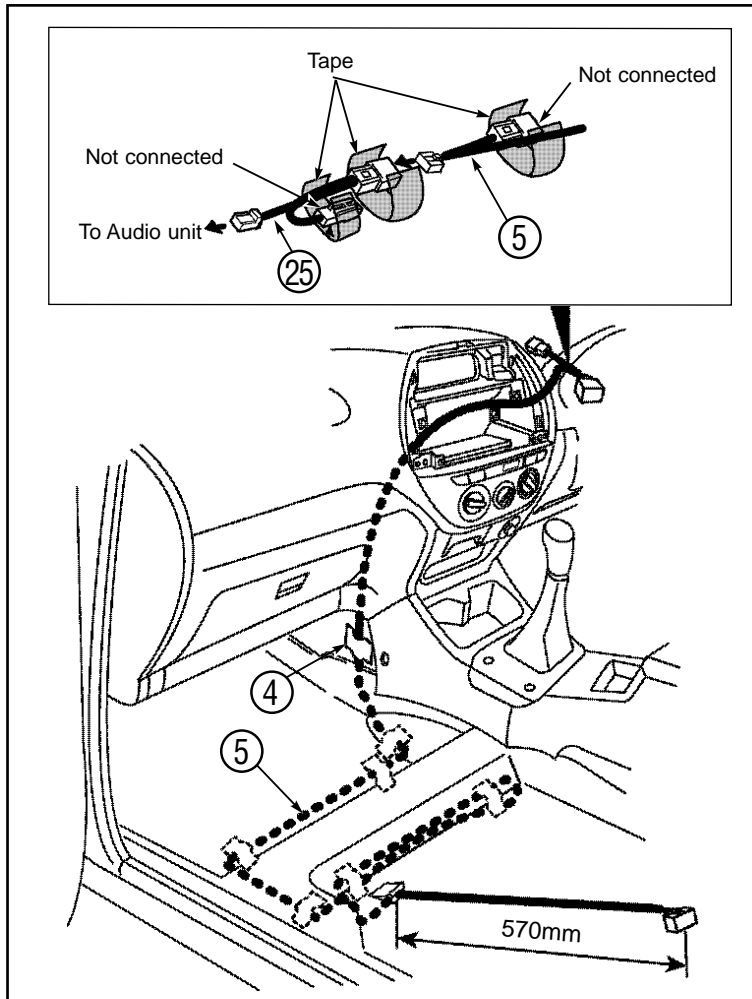


Fig. 22

7. Route the changer wire (5) and attach using tape (4).
 (4): Tape (7x)

CAUTION

Check that the wire (5) is not stressed when the seat is moved to the front most or to the rear most position.

ONLY IN CASE OF FULL MAP NAVIGATION

8. Connect the conversion harness (25) (08695-00370).

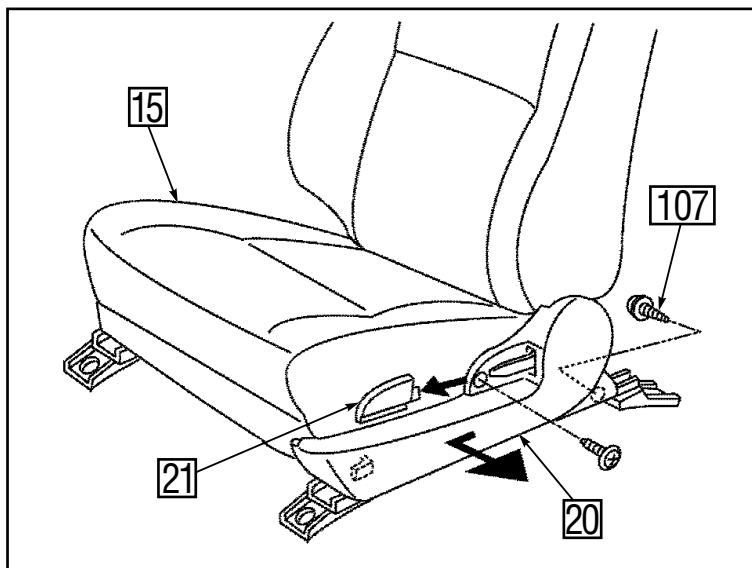


Fig. 23

9. Remove the side cover (L) (20) and the knob (21) of the passenger seat (15).
 (107): Screw (2x)

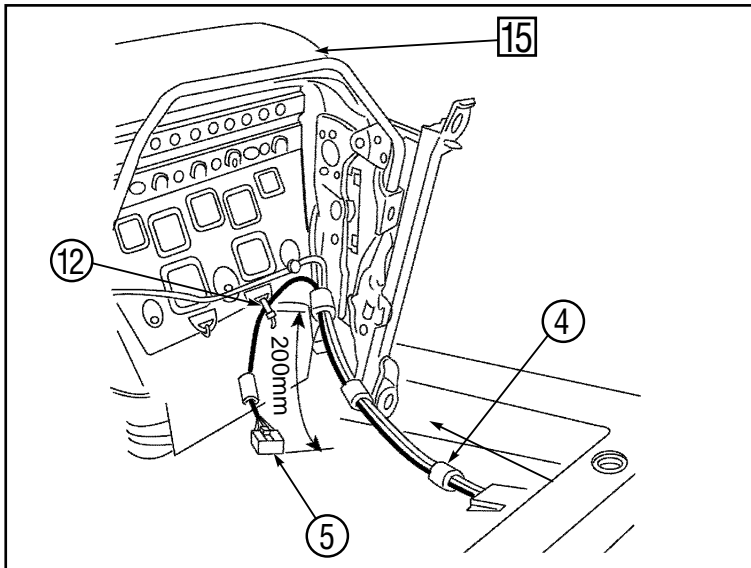


Fig. 24

10. Route the changer wire (5) and attach using tape (4) and a wire tie (12).
 (4): Tape (4x)
 (12): Wire tie (1x)

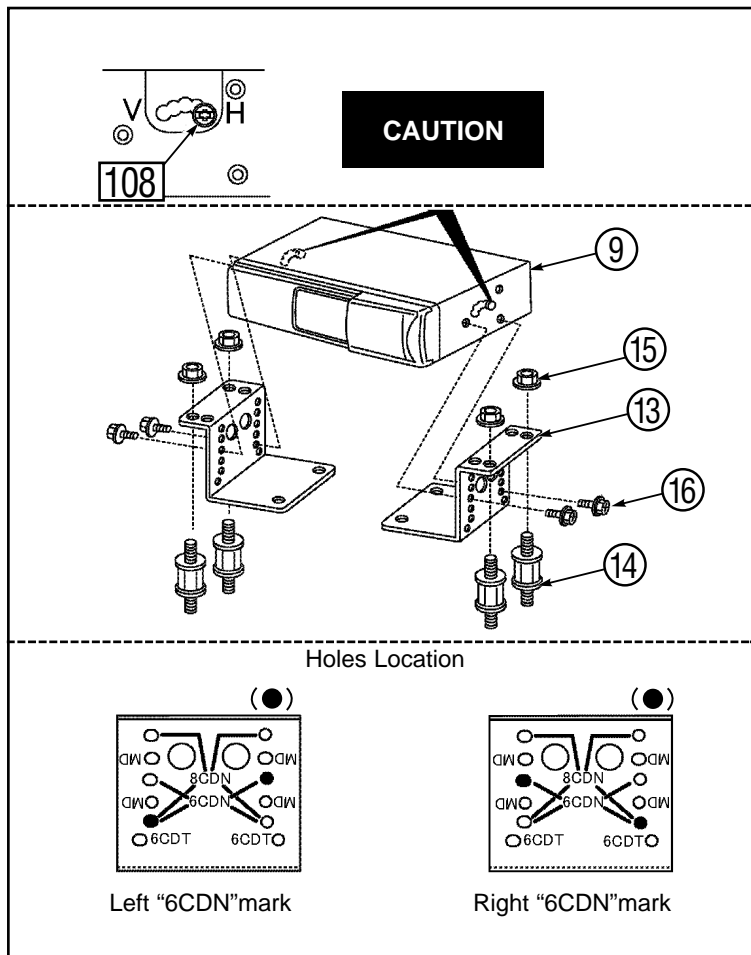


Fig. 25

11. Fit the side brackets (13) and the dampers (14) onto the CD-changer (9) using nuts (15) and bolts (16).
 (16): Bolt (M5x9) (4x)
 (15): Nut (M6) (4x)
 (14): Damper ("6CDN" Mark) (4x)

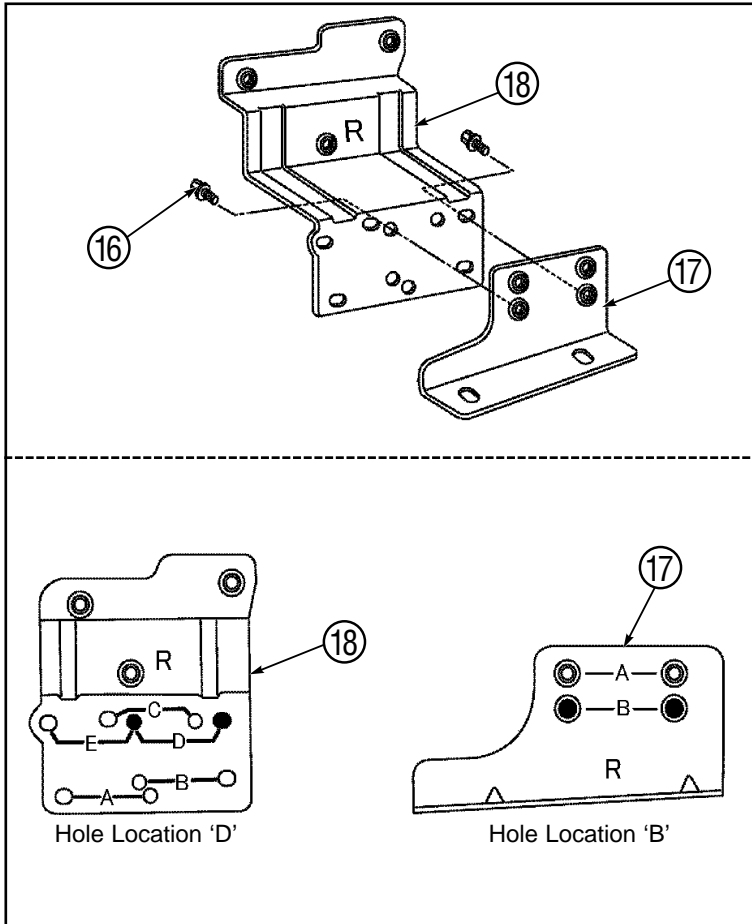


Fig. 26

12. Fit the sub bracket ⑰ (R) to the side bracket ⑱ (R).
 ⑰: Bolt (M5x9) (2x)

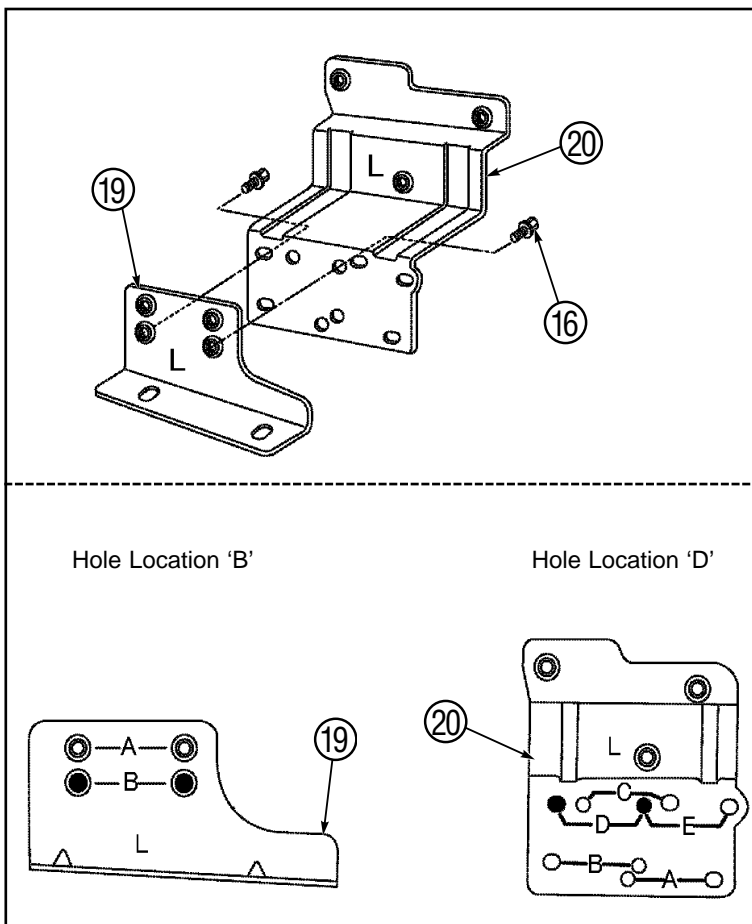


Fig. 27

13. Fit the sub bracket ⑲ (L) to the side bracket ⑳ (L).
 ⑰: Bolt (M5x9) (2x)

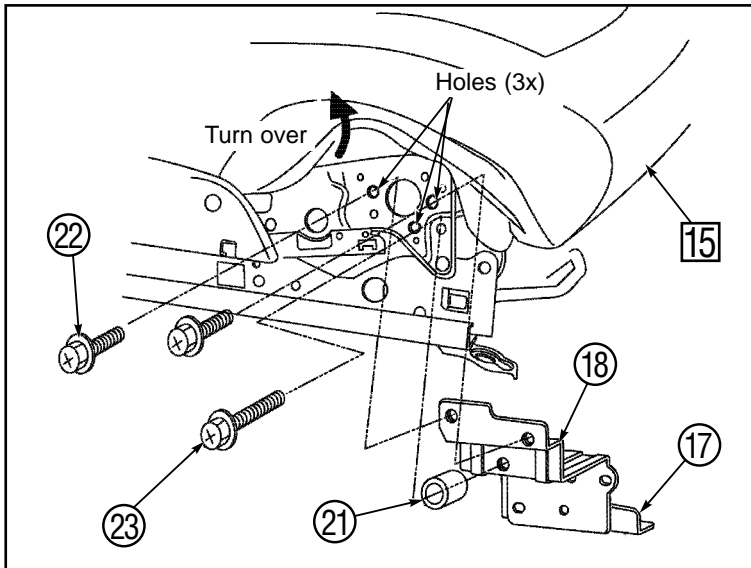


Fig. 28

14.
 - a) Fit the sub bracket ⑰ (R) together with the side bracket ⑱ (R) and the spacer ⑳ onto the passenger seat ⑮ right hand.
 - ⑳: Bolt (M6x12) (2x)
 - ㉑: Bolt (M6x25) (1x)
 - b) Replace the side cover ㉒ (R) onto the passenger seat ⑮ right hand.

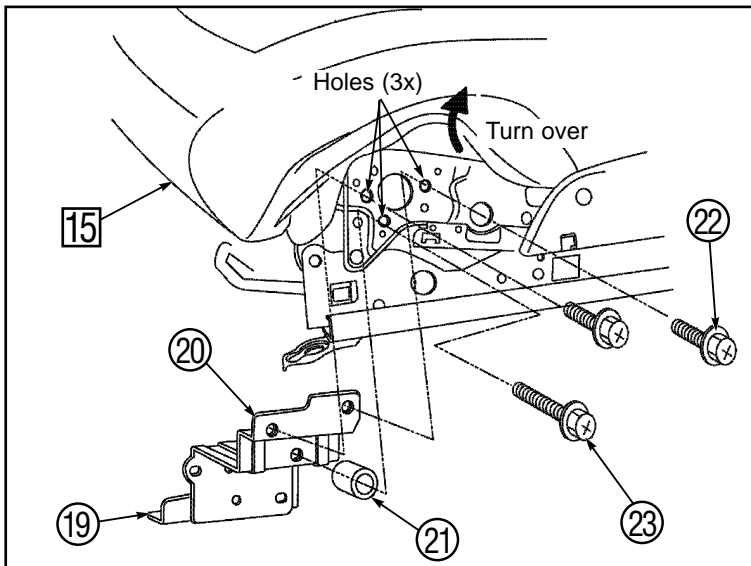


Fig. 29

15.
 - a) Fit the sub bracket ⑲ (L) together with the side bracket ㉒ (L) and the spacer ㉓ onto the passenger seat ⑮ left hand.
 - ⑳: Bolt (M6x12) (2x)
 - ㉑: Bolt (M6x25) (1x)
 - b) Replace the side cover ㉒ (L) and the knob ㉔ onto the passenger seat ⑮ left hand (see figure 23).

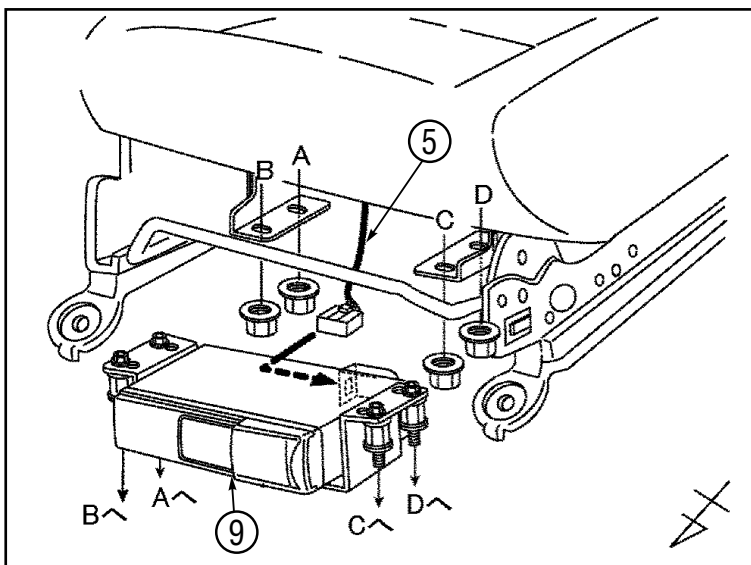


Fig. 30

16. Connect the changer wire ⑤ to the CD-changer ⑨.

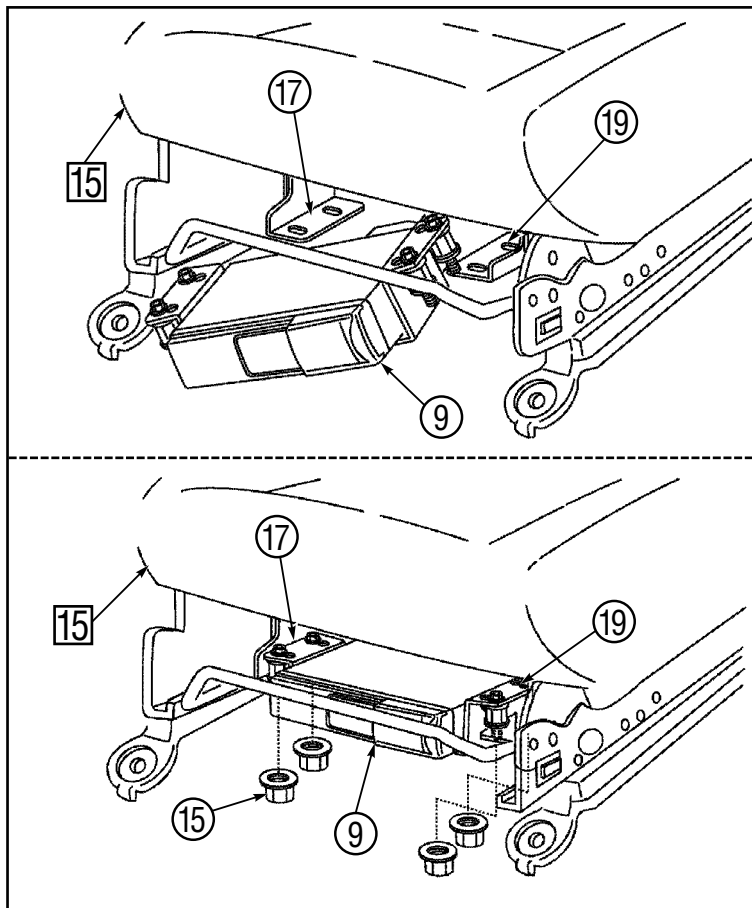


Fig. 31

17. Fit the CD-changer ⑨ to the sub brackets ⑰ (R) + ⑱ (L), under the passenger seat ⑮ using nuts ⑮.
- ⑮: Nut (M6) (4x)

**ENSURE THAT ALL REMOVED CONNECTORS
ARE PUT BACK CORRECTLY.
REFIT THE TRIM AND REMOVED PARTS.**

6. SUBWOOFER INSTALLATION

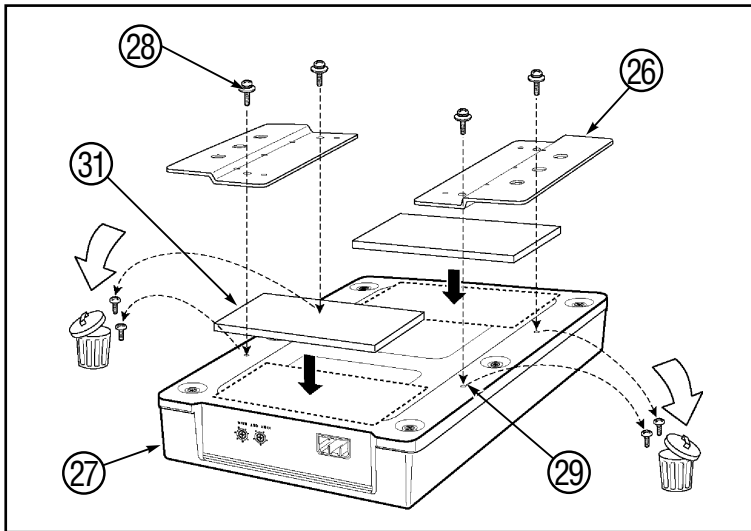


Fig. 32

1.
 - a) Fit the attachment bracket ②⑥ to the subwoofer ②⑦.
 ②⑥: Bracket (2x)
 ②⑧: Screw w/washer (4x)
 ②⑨: Screw (4x)
 - b) Fit the cushion tape ③① to the subwoofer ②⑦.
 ③①: Cushion tape (10mm) (2x)

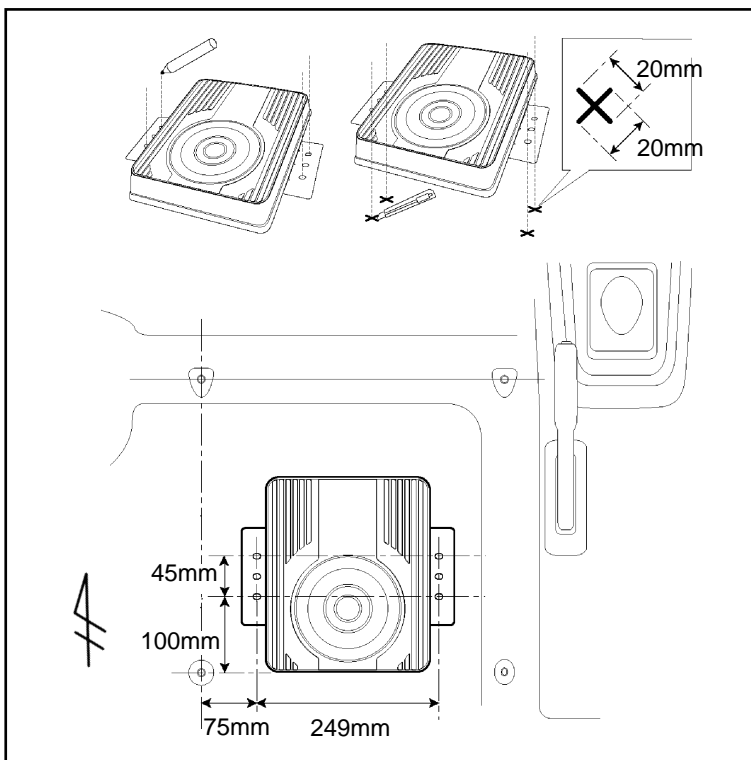


Fig. 33

2. Cut the carpet as shown in the illustration.

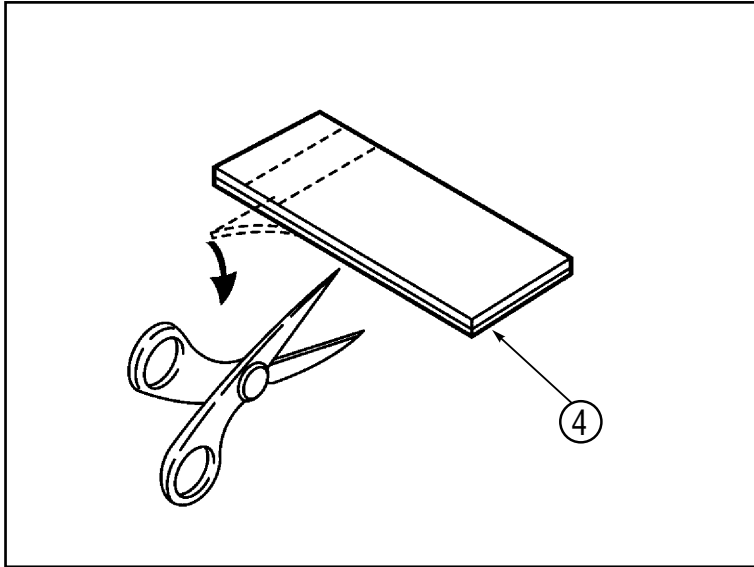


Fig. 34

3. Cut the tape ④ (10 pieces).

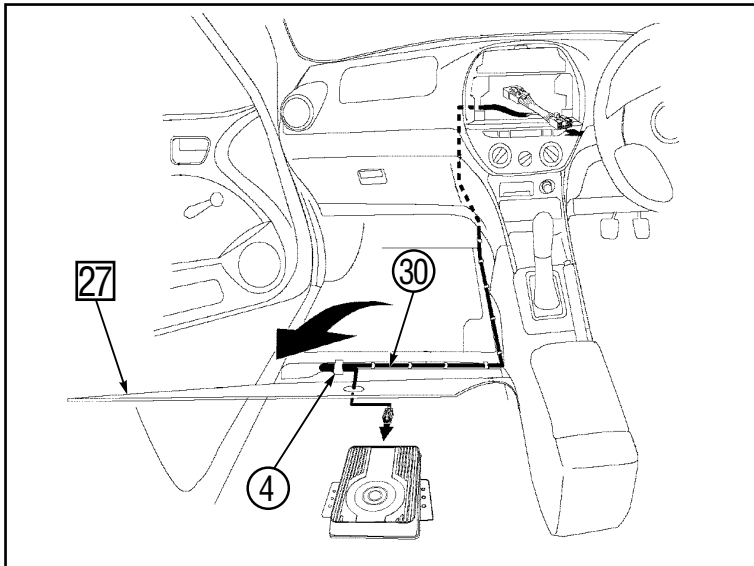


Fig. 35

4.
 a) Pull back the floor carpet ②⑦.
 b) Route and tape the subwoofer wire harness ③⑩ as shown.

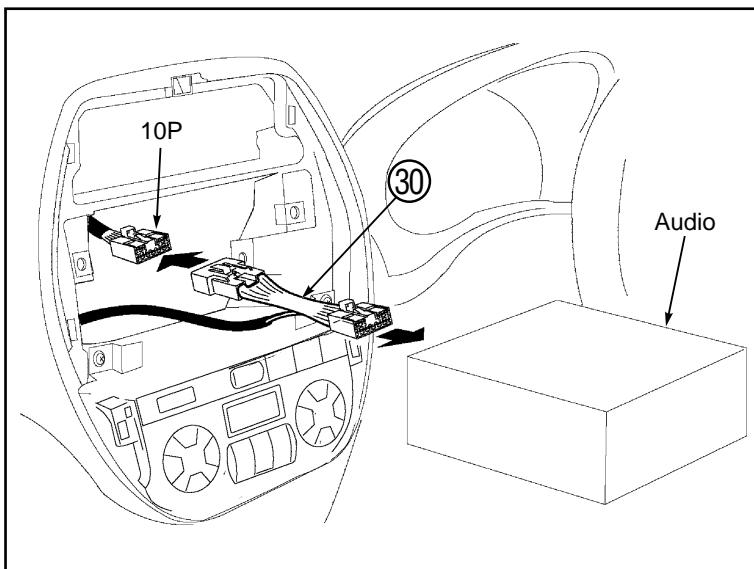


Fig. 36

5. Connect the subwoofer wire harness ③⑩ to the 10P audio connector of the vehicle wire harness and to the audio unit.

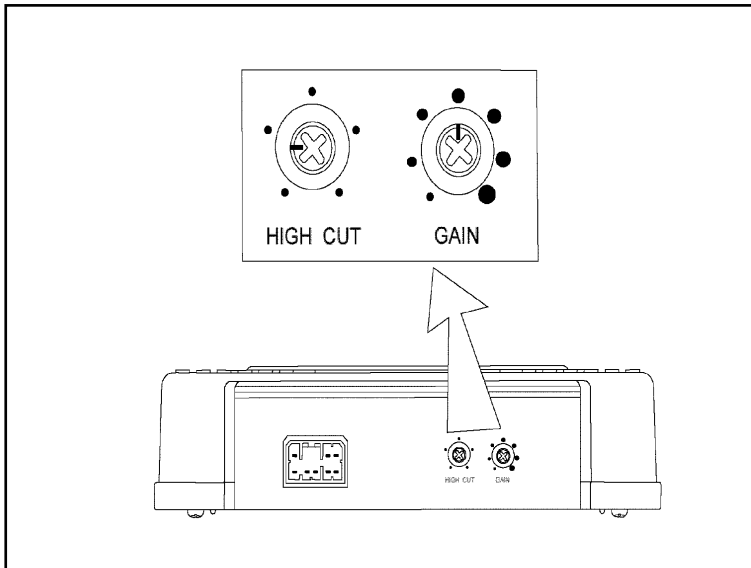


Fig. 37

6. Before installing the subwoofer adjust the high cut and gain to the correct position as shown in the illustration.

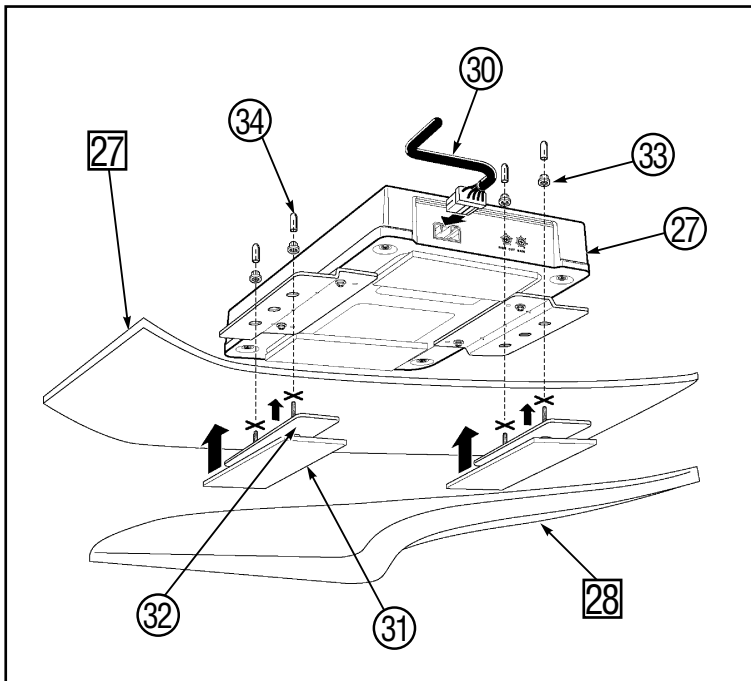


Fig. 38

7.
 - a) Separate the felt 28 from the floor carpet 27.
 - b) Fit the base bracket 32 to the floor carpet 27 and attach the cushion tape 31.
 - 32: Base bracket (2x)
 - 31: Cushion tape (5mm) (2x)
 - c) Replace the felt 28 and floor carpet 27.
 - d) Fit the subwoofer 27 to the base bracket 32 using the nut 33 and cap 34.
 - 34: Cap (4x)
 - 33: Nut (M5) (4x)
 - e) Connect the subwoofer wire 30 to the subwoofer 27.

**ENSURE THAT ALL REMOVED CONNECTORS
ARE PUT BACK CORRECTLY.
REFIT THE TRIM AND REMOVED PARTS.**

TOYOTA
GENUINE PARTS